

TDOECS5302A

5MP Starlight HDCVI IR Eyeball Camera



- Max 25 fps@5MP (16:9 video output)
- CVI/CVBS/AHD/TVI switchable
- 2.8 mm fixed lens
- Built-in mic
- Max. IR length 30 m, Smart IR
- IP67, DC12V



System Overview

TDOECS5302A is suitable for users who requires high quality monitoring products at a reasonable price. It is cost effective and offers high performance, which makes it an ideal choice for residential and small-medium business applications. This series offers an option of a wide range of technologies such as Full-color and Starlight, providing various solutions for different scenarios.

Functions

4 Signals over 1 Coaxial Cable

HDCVI technology supports 4 signals to be transmitted over 1 coaxial cable simultaneously, i.e. video, audio*, data and power. Dual-way data transmission allows the HDCVI camera to interact with the XVR, such as sending control signal or triggering alarm. Moreover, HDCVI technology supports PoC for construction flexibility.

Broadcast-quality Audio

Audio information is used as supplementary evidence in video surveillance applications. The HDCVI camera supports audio signal transmission over coaxial cable. In addition, it adopts unique audio processing and transmission technology that best restores source audio and eliminates noise, guaranteeing the quality and effectiveness of collected audio information.

Long Distance Transmission

HDCVI technology guarantees real-time transmission at long distance without any loss. It supports up to 700m transmission for 2MP/5MP/8MP HD video via coaxial cable, and up to 300m via UTP cable.

Simplicity

HDCVI technology inherits the born feature of simplicity from traditional analog surveillance system, making itself a best choice for investment protection. HDCVI system can seamlessly upgrade the traditional analog system without replacing existing coaxial cabling. The plug and play approach enables high definition video surveillance without the hassle of configuring a network.

Multi-language OSD

OSD menu provides multiple image adjustments and function settings to meet the requirements of different monitoring scenes. The OSD menu includes configurations such as backlight mode, day/night, white balance, privacy mask and motion detect. The camera supports 11 languages for OSD menu, namely, Chinese, English, French, German, Spanish, Portuguese, Italian, Japanese, Korean, Russian and Polish.

Smart Illumination

The camera is designed with IR illumination for best lowlight performance. Smart IR is a technology to ensure brightness uniformity in B/W image under low illumination. The camera's unique Smart IR adjusts to the intensity of camera's infrared LEDs to compensate for the distance of an object, and prevents IR LEDs from overexposing images as the object come closer to the camera.

Protection (IP67, wide voltage)

IP67: The camera passes a series of strict test on dust and soak. It has dust-proof function, and the enclosure can works normal after soaking in 1 m deep water for 30 minutes.

Wide voltage: The camera allows $\pm 30\%$ (for some power supplies) input voltage tolerance (wide voltage range), and it is widely applied to outdoor environment with instable voltage.

Technical Specification

Camera

Image Sensor	5MP CMOS
Max. Resolution	2880 (H) × 1620 (V)
Pixel	5MP
Scanning System	Progressive
Electronic Shutter Speed	PAL: 1/25 s~1/100000 s NTSC: 1/30 s~1/100000 s
S/N Ratio	> 65 dB
Min. Illumination	0.005 Lux/F1.6, 30IRE, 0 Lux IR on
Illumination Distance	30 m (98.4 ft)
Illuminator On/Off Control	Auto; manual
Illuminator Number	1 (IR light)
Pan/Tilt/Rotation Range	Pan: 0°~360° Tilt: 0°~78° Rotation: 0°~360°

Lens

Lens Type	Fixed lens				
Mount Type	M12				
Focal Length	2.8mm				
Max. Aperture	F1.6				
Field of View	2.8mm:H:111° V:58° D:132°				
Iris Type	Fixed				
Close Focus Distance	2.8 mm: 0.9 m (3.0 ft)				
DORI Distance	Lens	Detect	Observe	Recognize	Identify
	2.8 mm	63.6 m (208.7 ft)	25.4 m (83.3 ft)	12.7 m (41.7 ft)	6.4 m (21.0ft)

Video

Frame Rate	CVI: PAL: 5M@25 fps; 4M@25 fps; 1080P@25 fps; NTSC: 5M@25 fps; 4M@30 fps; 1080P@30 fps AHD: PAL: 4M@25 fps; NTSC: 4M@30 fps TVI: PAL: 4M@25 fps; NTSC: 4M@30 fps CVBS: PAL: 960H; NTSC: 960H
Resolution	5M (2880 × 1620); 4M (2560 × 1440); 1080P (1920 × 1080); 960 H (960 × 576/960 × 480)
Day/Night	Auto switch by ICR
BLC	BLC/HLC/DWDR
WDR	DWDR
White Balance	Auto; Area WB

Gain Control	Auto/Manual
Noise Reduction	2D NR
Smart IR	Yes
Mirror	Off/On
Privacy Masking	Off/On (8 area, rectangle)

Certifications

Certifications	CE (EN55032, EN55024, EN50130-4, EN62368-1) FCC (CFR 47 FCC Part 15 subpartB, ANSI C63.4-2014) UL (UL60950-1+CAN/CSA C22.2 No.60950-1)
----------------	--

Port

Video Output	Video output choices of CVI/TVI/AHD/CVBS by one BNC port
Audio Input	One channel built-in mic (-A)

Power

Power Supply	12V ±30% DC
Power Consumption	Max 3.2W (12V DC, IR on)

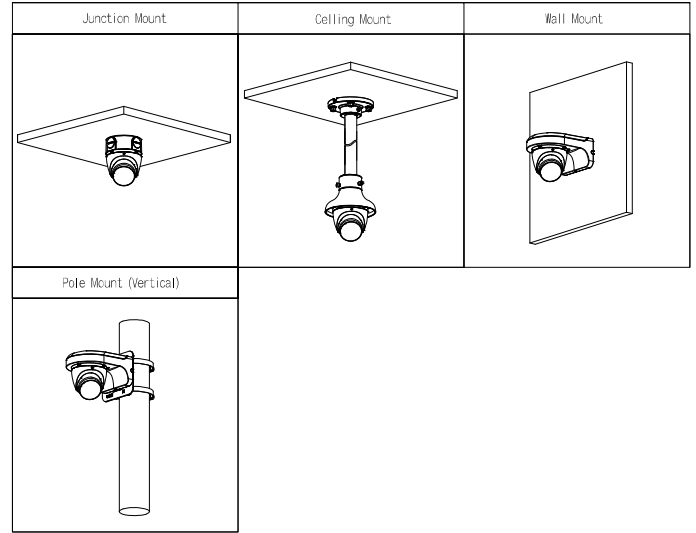
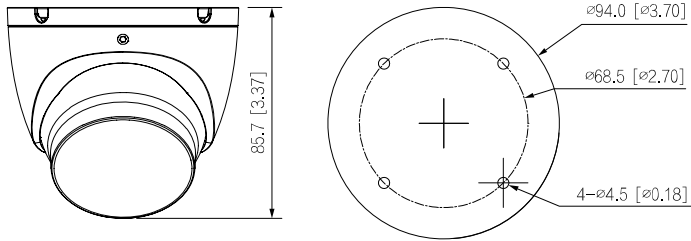
Environment

Operating Temperature	-40°C to +60°C (-40°F to 140°F); < 95% (non-condensation)
Storage Temperature	-40°C to +60°C (-40°F to 140°F); < 95% (non-condensation)
Protection Grade	IP67

Structure

Casing	Metal throughout the whole casing
Camera Dimensions	φ94.0 mm × 85.7 mm (φ3.70" × 3.37")
Net Weight	0.33 kg (0.73 lb)
Gross Weight	0.47 kg (1.04 lb)

Dimensions (mm[inch])



Accessories

Optional:



PFA13A-E
Junction box



PFB204W
Wall Mount Bracket



PFA152-E
Pole Mount Bracket



PFA106
Mount Adapter



PFB220C
Ceiling Mount Bracket