

PFA121

WATER-PROOF JUNCTION BOX



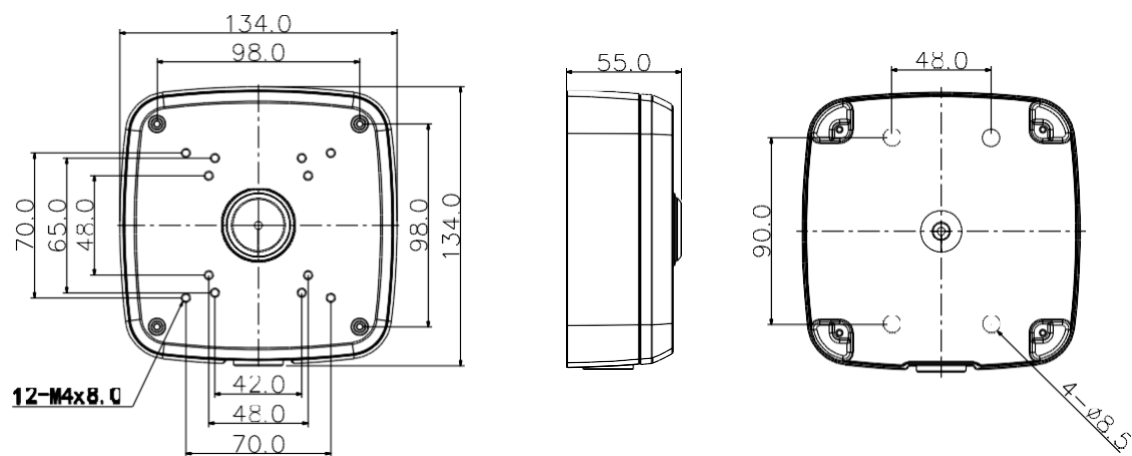
FEATURES:

- Material: Aluminum
- Wall Mount Bracket
- Neat & Integrated design

Specifications:

Model	PFA121
General	
Material	Aluminum
Dimension (W x D x H)	134mm x 134mm x 55mm
Pipe Thread	M20(G1/2")
Operating Temperature	-40°C ~60°C
Humidity	0~90% RH
Load Bearing	3.0Kg
Weight	0.55Kg
Camera Model	TDOECS2202, TDOEHS4202, TDOECS230V, TDOECS230VB, TDOEBHS6402A, TDOBHS860M, TDOBIY250S, TDLPR250M

Dimensions (mm):



Application:

