

TDOADCS2152-PIR

2MP HDCVI ACTIVE DETERRENCE CAMERA



FEATURES:

- Starlight
- Max 30fps@1080P
- HD and SD output switchable
- 2.8mm fixed lens
- Max. IR length 20m, Smart IR
- Built-in PIR, 15m/110° detecting range/angle
- Active deterrence with white light & siren
- Built-in mic
- IP67, DC12V

Specifications:

Model	TDOADCS2152-PIR	
Camera		
Image Sensor	1/2.8" CMOS	
Effective Pixels	1920(H)×1080(V), 2MP	
Scanning System	Progressive	
Electronic Shutter Speed	PAL: 1/4s~1/100,000s NTSC: 1/3s~1/100,000s	
Min. Illumination	0.004Lux/F1.6, 30IRE, 0Lux IR on	
S/N Ratio	More than 65dB	
IR Distance	Up to 66ft	
IR On/Off Control	Auto / Manual	
IR LEDs	1	
Lens		
Lens Type	Fixed lens / Fixed iris	
Mount Type	Board-in	
Focal Length	2.8mm	
Max Aperture	F1.6	
Angle of View	H: 110° V: 60°	
Focus Control	N/A	
Close Focus Distance	500mm (19.7")	
DORI Distance		
Note: The DORI distance is a "general proximity" of distance which makes it easy to pinpoint the right camera for your needs. The DORI distance is calculated based on sensor specification and lab test result according to EN 62676-4 which defines the criteria for Detect, Observe, Recognize and Identify respectively.		
	DORI Definition	Distance
Detect	25p/m (8p/ft)	2.8mm: 39m(128ft)

Observe	63px/m (19px/ft)	2.8mm: 15m(49ft)
Recognize	125px/m (38px/ft)	2.8mm: 8m(26ft)
Identify	250ppm (76px/ft)	2.8mm: 4m(13ft)
Pan / Tilt / Rotation		
Pan/Tilt Range	Pan: 0° ~ 360°; Tilt: 0° ~ 90°, Rotation: 0° ~ 360°	
Video		
Resolution	1080P (1920×1080)	
Frame Rate	25/30fps@1080P, 25/30/50/60fps@720P	
Video Output	1-channel BNC high definition video output / CVBS video output (DIP switch)	
Day/Night	Auto (ICR) / Manual	
OSD Menu	Multi-language	
BLC Mode	BLC / HLC / DWDR	
WDR	120dB	
Gain Control	AGC	
Noise Reduction	2D/3D	
White Balance	Auto / Manual	
Smart IR	Auto / Manual	
PIR		
Detection	Passive infrared	
Detection Range	Max. 15m, 110°	
Alarm prompt	Whitelight & Siren	
Installation height	Default bracket, wall mount, 2.2-2.5m	
Certifications		
Certifications	CE (EN55032, EN55024, EN50130-4) FCC (CFR 47 FCC Part 15 subpartB, ANSI C63.4-2014) UL (UL60950-1+CAN/CSA C22.2 No.60950-1)	
Interface		
Audio Interface	Built-in mic & 1 ch audio in interface	
Electrical		
Power Supply	12V DC ±30%	

Power Consumption	Max 5.5W (12V DC, IR on)
Environmental	
Operating Conditions	-20°C ~ +60°C (-4°F ~ +140°F) / Less than 95% RH * Start up should be done at above -20°C (-4°F)
Storage Conditions	-20°C ~ +60°C (-4°F ~ +140°F) / Less than 95% RH
Ingress Protection & Vandal Resistance	IP67
Construction	
Casing	Plastic (Body) + Aluminium (Bracket)
Dimensions	144.7mm×76.7mm×146.4mm (5.70"×3.02"×5.76")
Net Weight	0.41kg (0.90lb)
Gross Weight	0.55kg (1.21lb)

Accessories:



PFA134
Junction box



PFA152-E
Pole mount



PFM800-E
Passive HDCVI Balun



PFM800-4K
Passive Video Balun



PFM800B-4K
Passive Video Balun



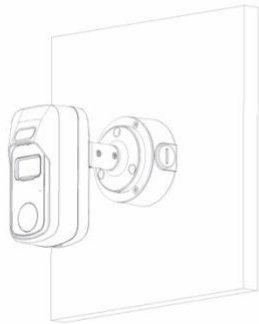
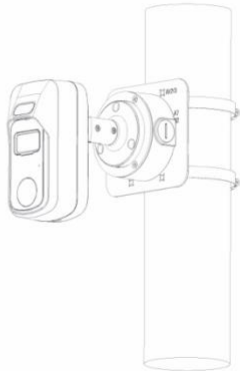
PFM321
12V 1A Power
Adapter



PFM320D-015
Power Adapter



PFM300
Power Adapter

Junction Mount	Pole Mount
PFA134	PFA134 + PFA152-E
	

Dimensions:

