

TDOBCS460M

4MP HDCVI IR BULLET CAMERA



FEATURES:

- Max 30fps@4MP
- HD and SD output switchable
- 2.7-12mm Motorized lens
- Max. IR length 197ft, Smart IR
- IP67, DC12V

Specifications:

Model	TDOBCS460M		
Camera			
Image Sensor	1/2.7" CMOS		
Effective Pixels	2560(H)x1440(V), 4MP		
Scanning System	Progressive		
Electronic Shutter Speed	PAL: 1/25~1/100000s NTSC: 1/30~1/100000s		
Min. Illumination	0.03Lux/F1.8, 30 IRE, 0Lux IR on		
S/N Ratio	More than 65dB		
IR Distance	Up to 197ft		
IR On/Off Control	Auto/Manual		
IR LEDs	4		
Lens			
Lens Type	Motorized Lens / Fixed Iris		
Mount Type	Board-In		
Focal Length	2.7-12mm		
Max Aperture	F1.8		
Angle of View	H: 92°~29° V: 49°~16°		
Focus Control	Motorized		
Close Focus Distance	800mm 31.50"		
DORI Distance			
Note: The DORI distance is a "general proximity" of distance which makes it easy to pinpoint the right camera for your needs. The DORI distance is calculated based on sensor specification and lab test result according to EN 62676-4 which defines the criteria for Detect, Observe, Recognize and Identify respectively.			
	DORI Definition	Distance	
		Wide	Tele
Detect	25px/m (8px/ft)	67m(220ft)	198m(650ft)

Observe	63px/m (19px/ft)	27m(89ft)	79m(259ft)
Recognize	125px/m (38px/ft)	13m(43ft)	39m(128ft)
Identify	250px/m (76px/ft)	7m(22ft)	19m(62ft)
Pan / Tilt / Rotation			
Pan/Tilt/Rotation	Pan: 0°~360° Tilt: 0°~87° Rotation: 0°~360°		
Video			
Resolution	4MP (2560×1440)		
Frame Rate	25/30fps@4MP, 25/30fps@1080P		
Video Output	1-channel BNC high definition video output / CVBS video output (can switch)		
Day/Night	Auto (ICR) / Manual		
OSD Menu	Multi-language		
BLC Mode	BLC / HLC / DWDR		
WDR	DWDR		
Gain Control	AGC		
Noise Reduction	2D		
White Balance	Auto / Manual		
Smart IR	Auto / Manual		
Certifications			
Certifications	CE (EN55032, EN55024, EN50130-4) FCC (CFR 47 FCC Part 15 subpartB, ANSI C63.4-2014) UL (UL60950-1+CAN/CSA C22.2 No.60950-1)		
Interface			
Audio Interface	N/A		
Electrical			
Power Supply	12V DC±30%		
Power Consumption	Max 11.5W (12V DC, IR on)		
Environmental			
Operating Conditions	-30°C ~ +60°C (-22°F ~ +140°F) / Less than 95% RH * Start up should be done at above -30°C (-22°F)		
Storage Conditions	-30°C ~ +60°C (-22°F ~ +140°F) / Less than 95% RH		

Ingress Protection & Vandal Resistance	IP67
Construction	
Casing	Aluminum
Dimensions	209.9mm×90.4mm×90.4mm (8.26"×3.56"×3.56")
Net Weight	0.55kg (1.21lb)
Gross Weight	0.70kg (1.54lb)

Accessories:

Optional:



PFA130-E
Junction box



PFA152-E
Pole mount



PFM820
UTC Controller



PFM800K-4K
Passive Video Balun



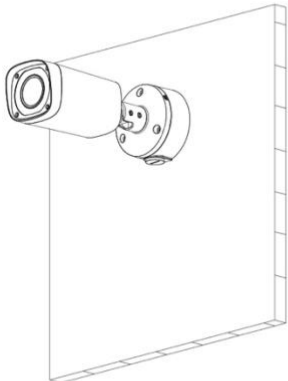
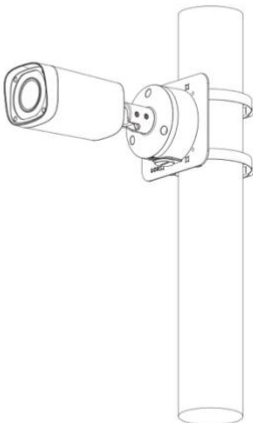
PFM800B-4K
Passive Video Balun



PFM320D-015
Power Adapter



PFM300
Power Adapter

Junction Mount	Pole Mount
PFA130-E	PFA130-E + PFA152-E
	

Dimensions:

