

TDOBHS8803A

4K STARLIGHT HDCVI IR BULLET CAMERA



FEATURES:

- Starlight, 120dB True WDR, 3DNR
- Max. 4K resolution
- HD/SD switchable
- Audio in interface, built-in mic
- 3.6mm fixed lens
- Max. IR length 260ft, Smart IR
- IP67, DC12V±30%

Specifications:

Model	TDOBHS8803A	
Camera		
Image Sensor	1/2" CMOS	
Effective Pixels	3840(H)x2160(V), 8MP	
Scanning System	Progressive	
Electronic Shutter Speed	PAL: 1/4s~1/100,000s NTSC: 1/3s~1/100,000s	
Min. Illumination	0.005Lux/F1.6, 30IRE, 0Lux IR on	
S/N Ratio	More than 65dB	
IR Distance	Up to 260ft	
IR On/Off Control	Auto / Manual	
IR LEDs	4	
Lens		
Lens Type	Fixed lens / Fixed iris	
Mount Type	Board-in	
Focal Length	3.6mm	
Max Aperture	F1.6	
Angle of View	H: 87°	
Focus Control	N/A	
Close Focus Distance	2500mm 98.43"	
DORI Distance		
Note: The DORI distance is a "general proximity" of distance which makes it easy to pinpoint the right camera for your needs. The DORI distance is calculated based on sensor specification and lab test result according to EN 62676-4 which defines the criteria for Detect, Observe, Recognize and Identify respectively.		
	DORI Definition	Distance
Detect	25px/m (8px/ft)	104m(ft)
Observe	63px/m (19px/ft)	42m(ft)

Recognize	125px/m (38px/ft)	21m(ft)
Identify	250px/m (76px/ft)	10m(ft)
Pan / Tilt / Rotation		
Pan/Tilt Range	Pan: 0° ~ 360°; Tilt: 0° ~ 90°, Rotation: 0° ~ 360°	
Video		
Resolution	8MP (3840x2160)	
Frame Rate	15fps@4K, 20fps@6MP, 25/30fps@4MP	
Video Output	1-channel BNC high definition video output / CVBS video output (DIP switch)	
Day/Night	Auto (ICR) / Manual	
OSD Menu	Multi-language	
BLC Mode	BLC / HLC / WDR	
WDR	120dB	
Gain Control	AGC	
Noise Reduction	2D/3D	
White Balance	Auto / Manual	
Smart IR	Auto / Manual	
Certifications		
Certifications	CE (EN55032, EN55024, EN50130-4) FCC (CFR 47 FCC Part 15 subpartB, ANSI C63.4-2014) UL (UL60950-1+CAN/CSA C22.2 No.60950-1)	
Interface		
Audio Interface	1ch in & Built-in Mic	
Electrical		
Power Supply	12V DC ±30%	
Power Consumption	Max 11.3W (12V DC, IR on)	
Environmental		
Operating Conditions	-30°C ~ +60°C (-22°F ~ +140°F) / Less than 90% RH * Start up should be done at above -30°C (-22°F)	
Storage Conditions	-30°C ~ +60°C (-22°F ~ +140°F) / Less than 90% RH	
Ingress Protection & Vandal Resistance	IP67	

Construction	
Casing	Aluminium
Dimensions	244mm x 90mm x 90mm (9.61"x3.5"x3.5")
Net Weight	0.42kg (0.93lb)
Gross Weight	0.53kg (1.17lb)

Accessories:

Optional:



PFA130-E
Junction box



PFA152-E
Pole mount



PFA151
Corner mount bracket



PFM321
12V 1A Power Adapter



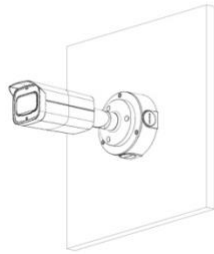
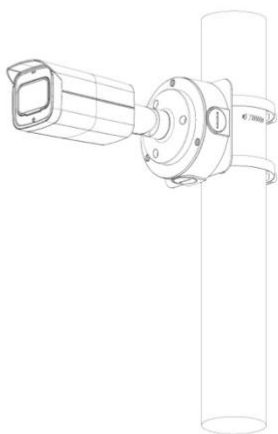
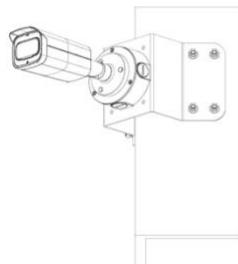
PFM320
12V 2A Power Adapter



PFM800-E
Passive HDCVI Balun



PFM320D-015
Power Adapter

Junction Mount	Pole Mount
PFA130-E	PFA130-E + PFA152-E
	
Corner Mount	
PFA130-E + PFA151	
	

Dimensions:

