

# TDOEHS2203A

## 2 MP HDCVI IR EYEBALL CAMERA



### FEATURES:

- Max 30fps@1080P
- HD and SD output switchable
- 3.6mm fixed lens
- Max. IR length 66FT, Smart IR
- IP67, DC12V

# Specifications:

<b>Model</b>	<b>TDOEHS2203A</b>	
<b>Camera</b>		
Image Sensor	1/ 2.9" CMOS	
Effective Pixels	1920(H)×1080(V), 2MP	
Scanning System	Progressive	
Electronic Shutter Speed	PAL: 1/25~100000s NTSC:1/30~1/100000s	
Min. Illumination	0.02Lux/F2.0, 30 IRE, 0Lux IR on	
S/N Ratio	More than 65db	
IR Distance	Up to 66ft	
IR On/Off Control	Auto/Manual	
IR Leds	1	
<b>Lens</b>		
Lens Type	Fixed Lens / Fixed Iris	
Mount Type	Board-In	
Focal Length	3.6mm	
Max Aperture	F2.0	
Angle of View	H: 80.8° (51°)	
Focus Control	N/A	
Close Focus Distance	800mm (1900mm) 31.5" (74.8")	
<b>DORI Distance</b>		
Note: The DORI distance is a "general proximity" of distance which makes it easy to pinpoint the right camera for your needs. The DORI distance is calculated based on sensor specification and lab test result according to EN 62676-4 which defines the criteria for Detect, Observe, Recognize and Identify respectively.		
	DORI Definition	Distance
Detect	25px/m	57m(187ft)
Observe	63px/m	23m(75ft)
Recognize	125px/m	11m(37ft)
Identify	250ppm	6m(19ft)

<b>Pan / Tilt / Rotation</b>	
Pan/Tilt/Rotation	Pan: 0°~360° Tilt: 0°~80° Rotation: 0°~360°
<b>Video</b>	
Resolution	1080P (1920×1080)
Frame Rate	25/30fps@1080P, 25/30/50/60fps @720P
Video Output	1-channel BNC high definition video output / CVBS video output (Can switch)
Day/Night	Auto (ICR) / Manual
OSD Menu	Multi-language
BLC Mode	BLC / HLC / DWDR
WDR	DWDR
Gain Control	AGC
Noise Reduction	2D
White Balance	Auto/Manual
Smart IR	Auto/Manual
<b>Certifications</b>	
Certifications	CE (EN55032, EN55024, EN50130-4) FCC (CFR 47 FCC Part 15 subpartB, ANSI C63.4-2014) UL (UL60950-1+CAN/CSA C22.2 No.60950-1)
<b>Interface</b>	
Audio Interface	Built-in Mic
<b>Electrical</b>	
Power Supply	12 V DC±25%
Power Consumption	Max 2.9W (12 V DC, IR on)
<b>Environmental</b>	
Operating Conditions	-40°C ~ +60°C (-40°F ~ +140°F) / Less than 90% RH * Start up should be done at above -40°C (-40°F)
Storage Conditions	-40°C ~ +60°C (-40°F ~ +140°F) / Less than 90% RH
Ingress Protection & Vandal Resistance	IP67
<b>Construction</b>	
Casing	Aluminum

Dimensions	Φ62mm×62mm (Φ2.44"×2.44")
Net Weight	0.16kg (0.35lb)
Gross Weight	0.23kg (0.51lb)

# Accessories:

Optional:



PFM820  
UTC Controller



PFM800-E  
Passive HDCVI Balun



PFM800-4MP  
Passive HDCVI Balun



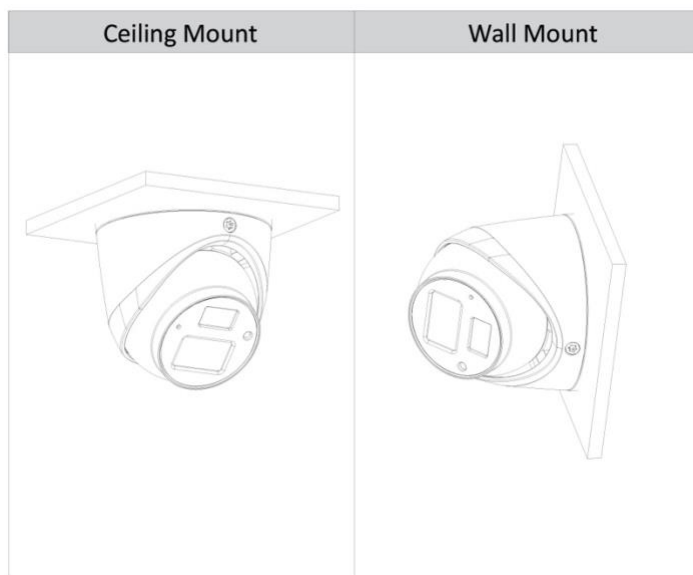
PFM801-4MP  
Passive HDCVI Balun  
With Power



PFM321  
12V 1A Power  
Adapter



PFM320D-015  
Power Adapter



# Dimensions:

