

PFA130-E

WATER-PROOF JUNCTION BOX



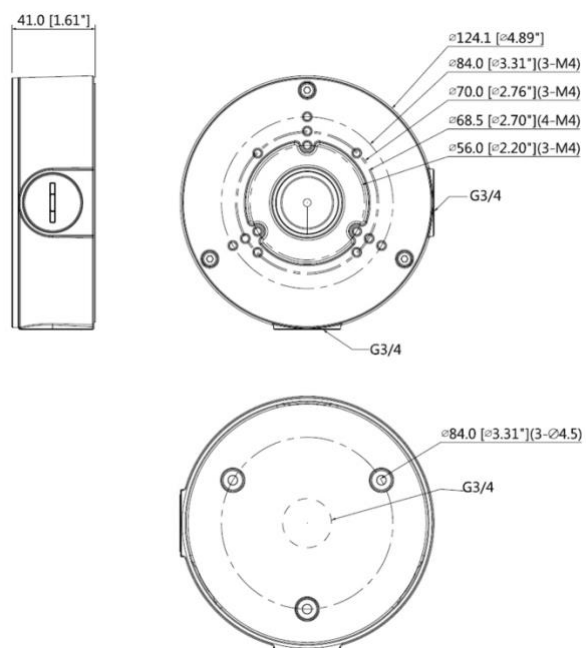
FEATURES:

- Neat & Integrated design
- Material: Aluminum
- IP66 junction box

Specifications:

Model	PFA130-E
General	
Material	Aluminum
Dimension	Φ124mmx41mm(Φ 4.88"x1.61")
Pipe Thread	G3/4"
Weight	0.35Kg (0.77lb)
Load Bearing	3.0Kg (6.61lb)
Color	White
Protection	IP66
Operating Temperature	-40°C ~+60°C (-40°F~+140°F)
Humidity	<90% RH
Applicable Model	TDOEHS6502A, TDOEHS8502A, TDOBHS8803A, TDOEiy8302X

Dimensions (mm):



Application:

