

PFA138

WATER-PROOF JUNCTION BOX



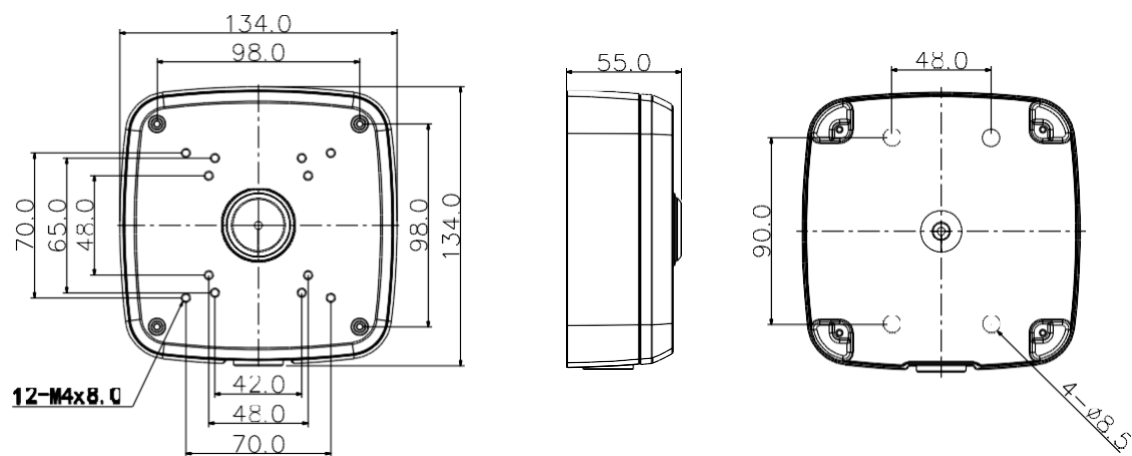
FEATURES:

- Material: Aluminum
- Water-proof junction box
- Aesthetic design
- Safety rope hook attached, secure and reliable

Specifications:

Model	PFA138
General	
Material	Aluminum
Dimension	φ161x37mm (φ6.34" x 1.46")
Inch Thread	G3/4"
Weight	0.48Kg (1.06lb)
Load Bearing	3.0Kg (6.61lb)
Color	White
Operating Temperature	-40°C ~+60°C (-40°F~+140°F)
Humidity	<90% RH
Applicable Model	TDODHS860M, TDODIY250M, TDODIY350M, TDODIY850M

Dimensions (mm):



Application:

