

# TDODIA8302

## 8MP WDR IR DOME NETWORK CAMERA



### FEATURES:

- 1/1.8" 8Megapixel progressive CMOS
- H.265 & H.264 dual-stream encoding
- 25/30fps@8MP(3840x2160)
- WDR(120dB), Day/Night(ICR), 3DNR, AWB, AGC, BLC
- Multiple network monitoring: Web viewer, TD-SMS and ToughDog Viewer
- Micro SD card slot, up to 128GB
- 2.8mm fixed lens
- Max IR LEDs Length 98ft
- IP67, IK10, PoE

# Specifications:

<b>Model</b>	<b>TDODIA8302</b>			
<b>Camera</b>				
Image Sensor	1/1.8" 8Megapixel progressive CMOS			
Effective Pixels	3840(H) x 2160(V)			
RAM/ROM	512MB/128MB			
Scanning System	Progressive			
Electronic Shutter Speed	Auto/Manual 1/3–1/100000s			
Minimum Illumination	0.003Lux/F1.6( Color,1/3s,30IRE) 0.02Lux/F1.6 Color,1/30s,30IRE) 0Lux/F1.6(IR on)			
S/N Ratio	More than 50dB			
IR Distance	Up to 98ft			
IR On/Off Control	Auto / Manual			
IR LEDs	1			
<b>Lens</b>				
Lens Type	Fixed			
Mount Type	Board-in			
Focal Length	2.8mm			
Max. Aperture	F1.6			
Angle of View	H: 111°, V: 59°			
Focus Control	Fixed			
Close Focus Distance	1.5m (4.9ft)			
DORI Distance	Detect	Observe	Recognize	Identify
	84m(275.6ft)	34m(111.5ft)	17m(55.8ft)	8m(26ft)
<b>PTZ</b>				
Pan/Tilt Range	Pan: 0°~355°; Tilt: 0°~75°; Rotation: 0°~355°			
<b>Intelligence</b>				

Event Trigger	Motion detection, Video tampering, Scene changing, Network disconnection, IP address conflict, Illegal access, Storage anomaly
IVS	Tripwire, Intrusion
<b>Video</b>	
Compression	H.265/ H.264H/MJPEG (Sub Stream)
Smart Codec	Support H.265+/H.264+
Streaming Capability	2 Streams
Resolution	4K (3840 × 2160) / 6M (3072 × 2048) / 5M (2560 × 1920) / 3M (2048 × 1536) / 3M (2304 × 1296) / 1080P (1920×1080) / 1.3M (1280 × 960) / 720P (1280 × 720) / D1 (704 × 576/704 × 480) / VGA (640 × 480) / CIF (352 × 288/352 × 240)
Frame Rate	Main Stream: 4K (1~25/30fps)
	Sub Stream: D1 (1~25/30fps)
Bit Rate Control	CBR/VBR
Bit Rate	H.264: 32 Kbps – 8192 Kbps H.265: 16 Kbps – 8192 Kbps
Day/Night	Auto (ICR) / Color / B/W
BLC Mode	BLC / HLC / WDR(120dB)
White Balance	Auto/Natural/Street Lamp/Outdoor/Manual
Gain Control	Auto/Manual
Noise Reduction	3D DNR
Motion Detection	Off / On (4 Zone, Rectangle)
Region of Interest	Off / On (4 Zone)
Electronic Image Stabilization (EIS)	N/A
Smart IR	Support
Digital Zoom	16x
Flip	0°/90°/180°/270°
Mirror	Off / On
Privacy Masking	Off / On (4 Area, Rectangle)
<b>Audio</b>	
Compression	N/A


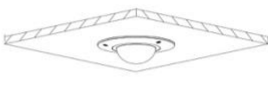
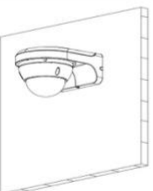

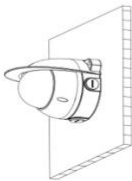

<b>Network</b>	
Ethernet	RJ-45 (10/100Base-T)
Protocol	HTTP;TCP;ARP;RTSP;RTP;UDP;RTCP;SMTP;FTP;DHCP;DNS;DDNS;PPP OE;IPv4/v6;SNMP;QoS;UPnP;NTP
Interoperability	ONVIF Profile S&G, CGI
Streaming Method	Unicast / Multicast
Max. User Access	10 Users / 20 Users
Edge Storage	NAS Local PC for instant recording Micro SD Card 128GB
Web Viewer	IE, Chrome, Firefox, Safari
Management Software	TD-SMS, ToughDog Viewer
Smart Phone	IOS, Android
<b>Certifications</b>	
Certifications	CE (EN 60950:2000) UL:UL60950-1 FCC: FCC Part 15 Subpart B
<b>Interface</b>	
Video Interface	N/A
Audio Interface	N/A
RS485	N/A
Alarm	N/A
<b>Electrical</b>	
Power Supply	DC12V PoE (802.3af)(Class 0)
Power Consumption	<8.9W
<b>Environmental</b>	
Operating Conditions	-30°C to +60°C (-22°F to +140°F) / less than 95% RH
Storage Conditions	-30°C to +60°C (-22°F to +140°F) / less than 95% RH
Ingress Protection	IP67
Vandal Resistance	IK10
<b>Construction</b>	
Casing	Metal

Dimensions	Φ122mm x 88.9mm (4.80" x 3.50")
Net Weight	0.45 kg (1.0lb)
Gross Weight	0.60 kg (1.33lb)

# Accessories:

Optional:



<b>Junction Mount</b> PFA137 	<b>Inceiling Mount</b> PFB200C 
<b>Wall Mount</b> PFB203W 	<b>Pole Mount</b> PFB203W + PFA152-E 
<b>Wall Mount with Rain Shade</b> PFA137+PFA200W 	<b>Pole Mount with Rain Shade</b> PFA137+PFA152-E+PFA200W 

# Dimensions:

