

TDOBHS880MA

4K STARLIGHT HDCVI IR BULLET CAMERA



FEATURES:

- Starlight, 120dB True WDR, 3DNR
- Max. 4K resolution
- HD/SD switchable
- Audio in interface, built-in mic
- 3.7-11mm motorized lens
- Max. IR length 262ft, Smart IR
- IP67, DC12V±30%

Specifications:

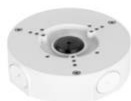
Model	TDOBHS880MA		
Camera			
Image Sensor	1/2" CMOS		
Effective Pixels	3840(H)x2160(V), 8MP		
Scanning System	Progressive		
Electronic Shutter Speed	PAL: 1/4s~1/100,000s NTSC: 1/3s~1/100,000s		
Min. Illumination	0.005Lux/F1.5, 30IRE, 0Lux IR on		
S/N Ratio	More than 65dB		
IR Distance	Up to 262ft		
IR On/Off Control	Auto / Manual		
IR LEDs	4		
Lens			
Lens Type	Motorized lens / Fixed iris		
Mount Type	Board-in		
Focal Length	3.7-11mm		
Max Aperture	F1.5		
Angle of View	H: 112°~46°		
Focus Control	Auto / Manual		
Close Focus Distance	200mm 7.87"		
DORI Distance			
Note: The DORI distance is a "general proximity" of distance which makes it easy to pinpoint the right camera for your needs. The DORI distance is calculated based on sensor specification and lab test result according to EN 62676-4 which defines the criteria for Detect, Observe, Recognize and Identify respectively.			
	DORI	Distance	
	Definition	Wide	Tele
Detect	25px/m (8px/ft)	83m(272ft)	190m(623ft)

Observe	63px/m (19px/ft)	33m(108ft)	76m(249ft)
Recognize	125px/m (38px/ft)	17m(56ft)	38m(125ft)
Identify	250px/m (76px/ft)	8m(26ft)	19m(62ft)
Pan / Tilt / Rotation			
Pan/Tilt Range	Pan: 0° ~ 360°; Tilt: 0° ~ 90°, Rotation: 0° ~ 360°		
Video			
Resolution	8MP (3840x2160)		
Frame Rate	15fps@4K, 20fps@6MP, 25/30fps@4MP		
Video Output	1-channel BNC high definition video output / CVBS video output (DIP switch)		
Day/Night	Auto (ICR) / Manual		
OSD Menu	Multi-language		
BLC Mode	BLC / HLC / WDR		
WDR	120dB		
Gain Control	AGC		
Noise Reduction	2D/3D		
White Balance	Auto / Manual		
Smart IR	Auto / Manual		
Certifications			
Certifications	CE (EN55032, EN55024, EN50130-4) FCC (CFR 47 FCC Part 15 subpartB, ANSI C63.4-2014) UL (UL60950-1+CAN/CSA C22.2 No.60950-1)		
Interface			
Audio Interface	1ch in & Built-in Mic		
Electrical			
Power Supply	12V DC ±30%		
Power Consumption	Max 12.5W (12V DC, IR on)		
Environmental			
Operating Conditions	-30°C ~ +60°C (-22°F ~ +140°F) / Less than 90% RH * Start up should be done at above -30°C (-22°F)		
Storage Conditions	-30°C ~ +60°C (-22°F ~ +140°F) / Less than 90% RH		

Ingress Protection & Vandal Resistance	IP67
Construction	
Casing	Aluminium
Dimensions	244.1mm x 90.4mm x 90.4mm (9.61"x3.56"x3.56")
Net Weight	0.76kg(1.68lb)
Gross Weight	1.02kg(2.25lb)

Accessories:

Optional:



PFA130-E
Junction box



PFA152-E
Pole mount



PFA151
Corner mount bracket



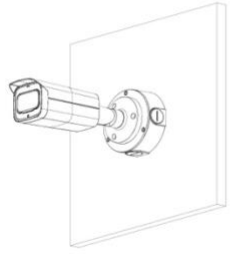
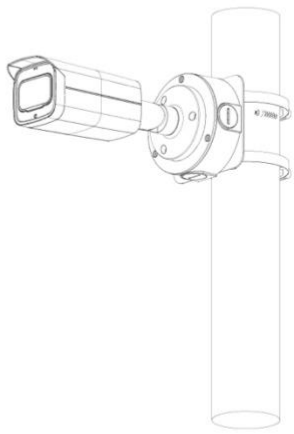
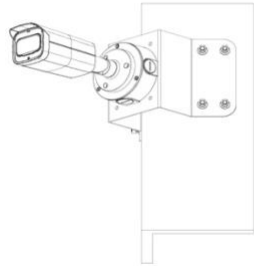
PFM800-E
Passive HDCVI Balun



PFM320
12V 2A Power Adapter



PFM320D-015
Power Adapter

Junction Mount	Pole Mount
PFA130-E	PFA130-E + PFA152-E
	
Corner Mount	
PFA130-E + PFA151	
	

Dimensions:

