

# TDOBHS6P

## 3X2MP MULTI-SENSOR PANORAMIC HDCVI IR-BULLET CAMERA



### FEATURES:

- Three 1/2.8" 2Megapixel progressive scan CMOS
- 1 panoramic view & 3 individual 2MP video output simultaneously
- Max. 15fps@4K, 25fps@4M
- 120db true WDR, 2D&3D NR
- HDCVI starlight technology
- Max. 66ft IR distance
- IP67&IK10 ingress protection
- Up to 500m transmission with RG59 coaxial cable

# Specifications:

<b>Model</b>	<b>TDOBHS6P</b>	
<b>Camera</b>		
Image Sensor	Three 1/2.8" 2MP STARVIS™ CMOS	
Effective Pixels(Panorama)	4K(3840x832)/4M(2560x554)	
Scanning System	Progressive	
Electronic Shutter Speed	PAL:1/4s~1/100,000s NTSC:1/3s~1/100,000s	
Min. Illumination	0.005Lux/F1.8( Color), 30IRE,0Lux/F1.8(IR on)	
S/N Ratio	More than 65dB	
IR Distance	66ft	
IR On/Off Control	Auto (ICR)/Color/B/W	
IR LEDs	6	
<b>Lens</b>		
Lens Type	Fixed lens / Fixed iris	
Mount Type	Board-in	
Focal Length	3.6mm	
Max Aperture	F1.8	
Angle of View	H: 180°	
Focus Control	N/A	
Close Focus Distance	500mm 19.7"	
<b>DORI Distance</b>		
Note: The DORI distance is a "general proximity" of distance which makes it easy to pinpoint the right camera for your needs. The DORI distance is calculated based on sensor specification and lab test result according to EN 62676-4 which defines the criteria for Detect, Observe, Recognize and Identify respectively.		
	DORI Definition	Distance
Detect	25px/m (8px/ft)	50m (163ft)
Observe	63px/m (19px/ft)	20m (65ft)
Recognize	125px/m (38px/ft)	10m (33ft)
Identify	250px/m (76px/ft)	5m (16ft)

<b>Pan / Tilt / Rotation</b>	
Pan/Tilt/Rotation	Pan: 0° ~ 360° Tilt: 0° ~ 90° Rotation: 0° ~ 360°
<b>Video</b>	
Resolution	4K (3840x2160)/4MP (2560x1440)
Frame Rate	PAL:3840x2160@12.5fps,2560x1440@25fps; NTSC:3840x2160@15fps,2560x1440@25fps;
Video Output	1-channel BNC HDCVI panoramic video output & 3-channels BNC 2MP HDCVI video output
Day/Night	Auto (Electronic) / Manual
OSD Menu	Multi-language
BLC Mode	BLC / HLC / WDR
WDR	120dB
Gain Control	AGC
Noise Reduction	2D/3D
White Balance	Auto / Manual
Smart IR	Auto / Manual
<b>Certifications</b>	
Certifications	CE (EN55032, EN55024, EN50130-4) FCC (CFR 47 FCC Part 15 subpartB, ANSI C63.4-2014) UL (UL60950-1+CAN/CSA C22.2 No.60950-1)
<b>Interface</b>	
Alarm I/O	2/1
Audio Interface	1-channel audio in (JACK)
Test Interface	1-channel 2-pin CVBS video output
Upgrade Interface	1-channel 4-pin USB input
Code Switcher	1 physical code switch(switch the preset video source)
Menu set	1 Five-direction button
<b>Electrical</b>	
Power Supply	12V DC ±25%
Power Consumption	24W
<b>Environmental</b>	
Operating Conditions	-30°C ~ +60°C (-22°F ~ +140°F) / Less than 95% RH * Start up should be done at above -30°C (-22°F)

Storage Conditions	-30°C ~ +60°C (-22°F ~ +140°F) / Less than 95% RH
Ingress Protection & Vandal Resistance	IP67 & IK10
<b>Construction</b>	
Casing	Aluminium
Dimensions	286mm x 119mm x 106mm(11.26"x4.68"x4.19")
Net Weight	2.05kg (4.5lb)
Gross Weight	2.43kg (5.36lb)

# Dimensions:

Optional:



PFA150  
Pole mount



PFA124-B  
Water-proof junction box



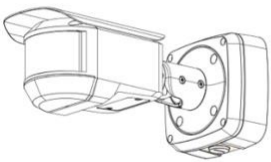

PFA151  
Corner mount bracket



PFM800-E  
Passive HDCVI Balun



PFM320  
12V 2A Power  
Adapter

Junction Mount	Pole Mount
PFA124-B	PFA124-B + PFA150
	
Corner Mount	
PFA124-B + PFA151	
