

TDOBCY2N3AS

2MP FULL-COLOR STARLIGHT HDCVI BULLET CAMERA



FEATURES:

- Full-color starlight
- 120dB true WDR, 3DNR
- Max. 30fps@1080P
- HD/SD output switchable
- Audio in interface, built-in mic
- 3.6mm fixed lens
- IP67, DC12V±30%

Specifications:

Model	TDOBCY2N3AS	
Camera		
Image Sensor	1/2.8" CMOS	
Effective Pixels	1920(H)×1080(V), 2MP	
Scanning System	Progressive	
Electronic Shutter Speed	PAL: 1/4s~1/100,000s NTSC: 1/3s~1/100,000s	
Min. Illumination	0.001Lux/F1.0, 30IRE	
S/N Ratio	More than 65dB	
IR Distance	N/A	
IR On/Off Control	N/A	
IR LEDs	N/A	
Lens		
Lens Type	Fixed lens / Fixed iris	
Mount Type	Board-in	
Focal Length	3.6mm	
Max Aperture	F1.0	
Angle of View	H: 89.5°	
Focus Control	N/A	
Close Focus Distance	1600mm 63"	
DORI Distance		
Note: The DORI distance is a "general proximity" of distance which makes it easy to pinpoint the right camera for your needs. The DORI distance is calculated based on sensor specification and lab test result according to EN 62676-4 which defines the criteria for Detect, Observe, Recognize and Identify respectively.		
	DORI Definition	Distance
Detect	25px/m (8px/ft)	53m(174ft)
Observe	63px/m (19px/ft)	21m(69ft)
Recognize	125px/m (38px/ft)	11m(36ft)

Identify	250px/m (76px/ft)	5m(16ft)
Pan / Tilt / Rotation		
Pan/Tilt Range	Pan: 0° ~ 360°; Tilt: 0° ~ 90°, Rotation: 0° ~ 360°	
Video		
Resolution	1080P (1920x1080)	
Frame Rate	25/30fps@1080P, 25/30/50/60fps@720P	
Video Output	1-channel BNC high definition video output / CVBS video output (DIP switch)	
Day/Night	Color	
OSD Menu	Multi-language	
BLC Mode	BLC / HLC / WDR	
WDR	120dB	
Gain Control	AGC	
Noise Reduction	2D/3D	
White Balance	Auto / Manual	
Smart IR	N/A	
Certifications		
Certifications	CE (EN55032, EN55024, EN50130-4) FCC (CFR 47 FCC Part 15 subpartB, ANSI C63.4-2014) UL (UL60950-1+CAN/CSA C22.2 No.60950-1)	
Interface		
Audio Interface	1ch in & Built-in Mic	
Electrical		
Power Supply	12V DC ±30%	
Power Consumption	Max 2.4W (12V DC, IR on)	
Environmental		
Operating Conditions	-40°C ~ +60°C (-40°F ~ +140°F) / Less than 90% RH * Start up should be done at above -40°C (-40°F)	
Storage Conditions	-40°C ~ +60°C (-40°F ~ +140°F) / Less than 90% RH	
Ingress Protection & Vandal Resistance	IP67	
Construction		

Casing	Aluminium
Dimensions	244.1mm x 90.4mm x 90.4mm (9.61"x3.5"x3.56")
Net Weight	0.75kg(1.65lb)
Gross Weight	0.97kg(2.14lb)

Accessories:

Optional:



PFA130-E
Junction box



PFA152-E
Pole mount



PFA151
Corner mount bracket



PFM321
12V 1A Power Adapter



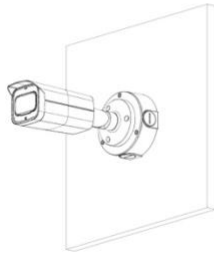
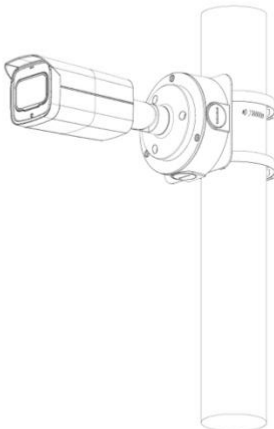
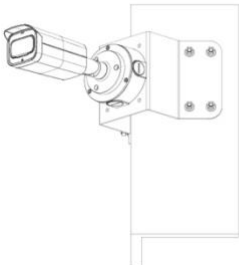
PFM320
12V 2A Power Adapter



PFM800-E
Passive HDCVI Balun



PFM300
12V 2A Power Adapter

Junction Mount	Pole Mount
PFA130-E	PFA130-E + PFA152-E
	
Corner Mount	
PFA130-E + PFA151	
	

Dimensions:

