

TDOECS8502A

4K HDCVI IR EYEBALL CAMERA



FEATURES:

- 120dB True WDR, 3D NR
- Max. 4K resolution
- CVI/CVBS/AHD/TVI switchable
- Built-in mic (-A)
- HD and SD output switchable
- 3.6mm fixed lens
- Max. IR length 164ft, Smart IR
- IP67, 12V±30%DC

Specifications:

Model	TDOECS8502A			
Camera				
Image Sensor	1/2.7" CMOS			
Effective Pixels	3840(H)×2160(V), 4K			
Electronic Shutter Speed	PAL: 1/3s~1/100,000s NTSC: 1/4s~1/100,000s			
Minimum Illumination	0.03Lux/F2.0, 30IRE, 0Lux IR on			
IR Distance	Up to 164ft			
IR On/Off Control	Auto / Manual			
IR LED Number	1			
Pan/Tilt/Rotation Range	Pan: 0°-360° Tilt: 0°-78° Rotation: 0°-360°			
Lens				
Lens Type	Fixed-focal			
Mount Type	M12			
Focal Length	3.6mm			
Max Aperture	F2.0			
Angle of View	104° × 87° × 47° (diagonal × horizontal × vertical)			
Iris Type	Fixed Iris			
Close Focus Distance	1.8m (3.28ft)			
DORI Distance	Detect	Observe	Recognize	Identify
	107m (351ft)	43m (141ft)	21m (69ft)	11m (36ft)
Video				
Video Frame Rate	CVI: 4K@15fps; 5M@20fps; 4M@25fps/30fps CVBS: PAL/NTSC AHD: 4K@15fps; 5M@20fps; 4M@25fps/30fps TVI: 4K@15fps; 5M@20fps; 4M@25fps/30fps			
Resolution	4K (3840×2160); 5M (2592×1944); 4M (2560×1440); 960H (960×576/960×480)			
Day/Night	Auto switch by ICR			
BLC	BLC / HLC / WDR			
WDR	120dB/WDR			
White Balance	Auto / Manual			
Gain Control	Auto / Manual			
Noise Reduction	2D & 3D NR			
Smart IR	Yes			
Electronic Defog	Yes			
Digital Zoom	4x			
Mirror	Off/On			

Privacy Masking	Off/On (8 area, rectangle)
Certifications	
Certifications	CE (EN55032, EN55024, EN50130-4) FCC (CFR 47 FCC Part 15 subpartB, ANSI C63.4-2014) UL (UL60950-1+CAN/CSA C22.2 No.60950-1)
Port	
Audio Port	Built-in mic (-A)
Video Port	Video output choices of CVI/TVI/AHD/CVBS by one BNC port
Power	
Power Supply	12V±30%DC
Power Consumption	Max. 4.5W (12V DC, IR on)
Environmental	
Operating Temperature	-40°C~+60°C (-40°F~+140°F); ≤95% (non-condensation)
Storage Temperature	-40°C~+60°C (-40°F~+140°F); ≤95% (non-condensation)
Protection Grade	IP67
Structure	
Casing	Metal throughout the whole casing
Dimensions	Φ106mm×93.6mm (Φ4.17"×3.69")
Net Weight	470g (1.04lb)
Gross Weight	620g (1.37lb)

Accessories:

Optional:



PFA130-E
Water-proof Junction
Box (ceiling mount)



PFB204W+PFA152-E
Water-proof Wall Mount Bracket
+ Pole Mount Bracket (pole mount)



PFB204W
Water-proof Wall Mount
Bracket (wall mount)



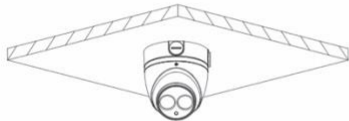

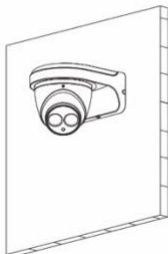
PFM320D-015
12V 1.5A
Power Adapter



PFM321
12V 1A
Power Adapter



PFM320
12V 2A
Power Adapter

Junction Mount	Pole Mount
PFA130-E	PFB204W + PFA152-E
	
Wall Mount	
PFB204W	
	

Dimensions:

