

# PFB604W

## 14" HOUSING WALL MOUNT BRACKET



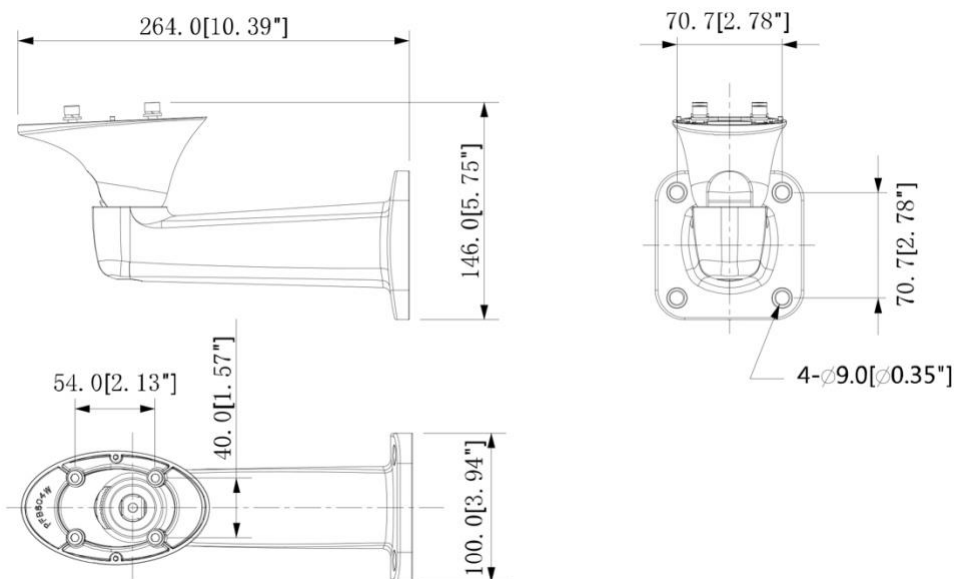
### FEATURES:

- Material: aluminum
- Wall mount bracket
- Hidden line design
- Aesthetic design

### Specifications:

<b>Model</b>	<b>PFB604W</b>
<b>General</b>	
Material	Aluminum
Dimension	264.0mm x 100.0mm x 146.0mm (10.39" x 3.94" x 5.75")
Inch Thread	M20 (G1/2")
Load Bearing	4.0kg (8.82lb)
Weight	0.56kg (1.23lb)
Color	White
Operating Temperature	-40°C ~+60°C (-40°F ~+140°F)
Humidity	0~90% RH
Applicable Model	Please see "Accessory Selection"

## Dimensions (mm):



## Application:

