

TDOEHS2502S

2MP STARLIGHT HDCVI IR EYEBALL CAMERA



FEATURES:

- Starlight, 120dB true WDR, 3DNR
- Max 30fps@1080P
- HD and SD output switchable
- 2.8mm fixed lens
- Max. IR length 164ft, Smart IR
- IP67, DC12V

Specifications:

Model	TDOEHS2502S	
Camera		
Image Sensor	1/2.8" CMOS	
Effective Pixels	1937(H)×1097(V), 2.1 MP	
Scanning System	Progressive	
Electronic Shutter Speed	PAL: 1/4s~1/100000s NTSC: 1/3s~1/100000s	
Min. Illumination	0.005Lux@F1.6 , 30IRE, 0Lux IR on	
S/N Ratio	More than 65dB	
IR Distance	Distance up to 164ft	
IR On/Off Control	Auto/Manual	
IR Leds	1	
Lens		
Lens Type	Fixed lens / Fixed iris	
Mount Type	Board-in	
Focal Length	2.8mm	
Max Aperture	F1.6	
Angle of View	H: 87° (110.5°/52.9°)	
Focus Control	N/A	
Close Focus Distance	1200mm (500mm, 1800mm) 47.24" (19.69", 70.87")	
DORI Distance		
	DORI Definition	Distance
Detect	25px/m (8px/ft)	2.8mm: 42m (138ft)
Observe	63px/m (19px/ft)	2.8mm: 17m (56ft)
Recognize	125px/m (38px/ft)	2.8mm: 8m (26ft)
Identify	250ppm (76px/ft)	2.8mm: 4m (13ft)
Pan / Tilt / Rotation		

Pan/Tilt Range	Pan: 0° ~ 360°; Tilt: 0° ~ 70°, Rotation: 0° ~ 360°;
Video	
Resolution	1080P(1920x1080)
Frame Rate	25/30fps@1080P, 25/30fps@720P
Video Output	1-channel BNC high definition video output / CVBS video output (Can switch)
Day/Night	Auto (ICR) / Manual
OSD Menu	Multi-language
BLC Mode	BLC / HLC / WDR
WDR	120dB
Gain Control	AGC
Noise Reduction	2D/3D
White Balance	Auto / Manual
Smart IR	Auto / Manual
Certifications	
Certifications	CE (EN55032, EN55024, EN50130-4) FCC (CFR 47 FCC Part 15 subpartB, ANSI C63.4-2014) UL (UL60950-1+CAN/CSA C22.2 No.60950-1)
Interface	
Audio Interface	N/A
Electrical	
Power Supply	12V DC ±25%
Power Consumption	Max 3.9W (12V DC, IR on)
Environmental	
Operating Conditions	-40°C ~ +60°C (-40°F ~ +140°F) / Less than 90% RH * Start up should be done at above -40°C (-40°F)
Storage Conditions	-40°C ~ +60°C (-40°F ~ +140°F) / Less than 90% RH
Ingress Protection & Vandal Resistance	IP67
Construction	
Casing	Aluminium
Dimensions	Φ106mm x 93.7mm (Φ4.17"x3.69")

Net Weight	0.34kg(0.75lb)
Gross Weight	0.46kg(1.01lb)

Accessories:

Optional:



PFA139
Junction box



PFB204W
Wall mount



PFA152
Pole mount



PFM801
Passive HDCVI Balun
with Power



PFM809-4CH
4 Channel Passive
HDCVI Balun



PFM809
16 Channel Passive
HDCVI Balun




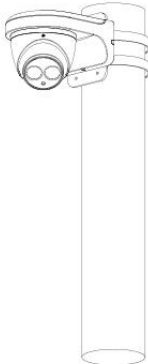

PFM800
Passive HDCVI Balun



PFM810
POC Transceiver



PFM820
UTC Controller

Junction Mount	Pole Mount
PFA139	PFB204W + PFA152
	
Wall Mount	
PFB204W	
	

Dimensions:

