

# TDOBIA8202

## 8MP WDR IR MINI BULLET NETWORK CAMERA



### FEATURES:

- 1/1.8" 8Megapixel progressive scan CMOS
- H. 265&H.264 dual-stream encoding
- 25/30fps@8MP (3840x2160)
- WDR(120dB), Day/Night(ICR), 3DNR, AWB, AGC, BLC
- Multiple network monitoring: Web viewer, CMS(DSS/PSS) & DMSS
- 2.8mm fixed lens
- Max. IR LEDs Length 164ft
- IP67, PoE

# Specifications:

<b>Model</b>	<b>TDOBIA8202</b>			
<b>Camera</b>				
Image Sensor	1/1.8" 8Megapixel progressive CMOS			
Effective Pixels	3840(H) x 2160(V)			
RAM/ROM	512MB/128MB			
Scanning System	Progressive			
Electronic Shutter Speed	Auto/Manual 1/3(4)-1/100000s			
Min. Illumination	0.003Lux/F1.6( Color,1/3s,30IRE) 0.08Lux/F1.6( Color,1/30s,30IRE) 0Lux/F1.6(IR on)			
S/N Ratio	More than 50dB			
IR Distance	Up to 164ft			
IR On/Off Control	Auto / Manual			
IR LEDs Number	2			
<b>Lens</b>				
Lens Type	Fixed			
Mount Type	Board-in			
Focal Length	2.8mm			
Max. Aperture	F1.6			
Angle of View	H: 111°, V: 59°			
Optical Zoom	N/A			
Focus Control	Fixed			
Close Focus Distance	1.5m (16.4ft)			
DORI Distance	Detect	Observe	Recognize	Identify
	84m (276ft)	34m (112ft)	17m (56ft)	8m (26ft)
<b>PTZ</b>				
Pan/Tilt/Rotation Range	Pan:0°~355°; Tilt:0°~90°; Rotation:0°~355°			

<b>Intelligence</b>	
Event Trigger	Motion detection, Video tampering, Scene changing, Network disconnection, IP address conflict, Illegal access, Storage anomaly
IVS	Tripwire, Intrusion
<b>Video</b>	
Compression	H.265; H.264H; MJPEG (Sub Stream)
Smart Codec	Support H.265+/H.264+
Stream Capability	2 streams
Resolution	4K (3840x2160) / 6M (3072x2048) / 5M (2560x1920) / 3M (2048x1536) / 3M (2304x1296) / 1080P (1920x1080) / 1.3M (1280x960) / 720P (1280x720) / D1 (704x576/704x480) / VGA (640x480) / CIF (352x288/352x240)
Frame Rate	Main Stream: 4K (1~25/30fps)
	Sub Stream: D1(1~25/30fps)
Bit Rate Control	CBR/VBR
Video Bit Rate	H.264: 24 Kbps~8192 Kbps H.265: 32 Kbps~8192 Kbps
Day/Night	Auto (ICR) / Color / B/W
BLC Mode	BLC / HLC / WDR(120dB)
White Balance	Auto/natural/street lamp/outdoor/manual
Gain Control	Auto/Manual
Noise Reduction	3D DNR
Motion Detection	Off / On (4 Zone, rectangle)
Region of Interest	Off / On (4 Zone)
Electronic Image Stabilization (EIS)	N/A
Smart IR	Support
Defog	N/A
Digital Zoom	16x
Flip	0°/90°/180°/270°
Mirror	Off / On
Privacy Masking	Off / On (4 Area, Rectangle)
<b>Audio</b>	

Compression	N/A
<b>Network</b>	
Ethernet	RJ-45 (10/100 Base-T)
Protocol	HTTP;TCP;ARP;RTSP;RTP;UDP;RTCP;SMTP;FTP;DHCP ;DNS;DDNS;PPPOE;IPv4/v6;SNMP;QoS;UPnP;NTP
Interoperability	ONVIF Profile S&G, CGI
Streaming Method	Unicast / Multicast
Max. User Access	10 Users / 20 Users
Edge Storage	NAS Local PC for instant recording
Web Viewer	IE, Chrome, Firefox, Safari
Management Software	TD-SMS, DSS, ToughDog Viewer
Smart Phone	IOS; Android
<b>Certifications</b>	
Certifications	CE (EN 60950:2000) UL:UL60950-1 FCC: FCC Part 15 Subpart B
<b>Interface</b>	
Video Interface	N/A
Audio Interface	N/A
RS485	N/A
Alarm	N/A
<b>Electrical</b>	
Power Supply	DC12V, PoE (IEEE802.3af)(Class 0)
Power Consumption	<7.8W
<b>Environmental</b>	
Operating Conditions	-30°C to +60°C (-22°F to +140°F) / Less than 95% RH
Storage Conditions	-30°C to +60°C (-22°F to +140°F) / Less than 95% RH
Ingress Protection	IP67
Vandal Resistance	N/A
<b>Construction</b>	
Casing	Metal

Dimensions	179.9mm x 69.3mm x 62mm (7.08" x 2.73" x 2.44")
Net Weight	0.48 kg (1.06lb)
Gross Weight	0.51 kg (1.12lb)

# Accessories:

**Optional:**



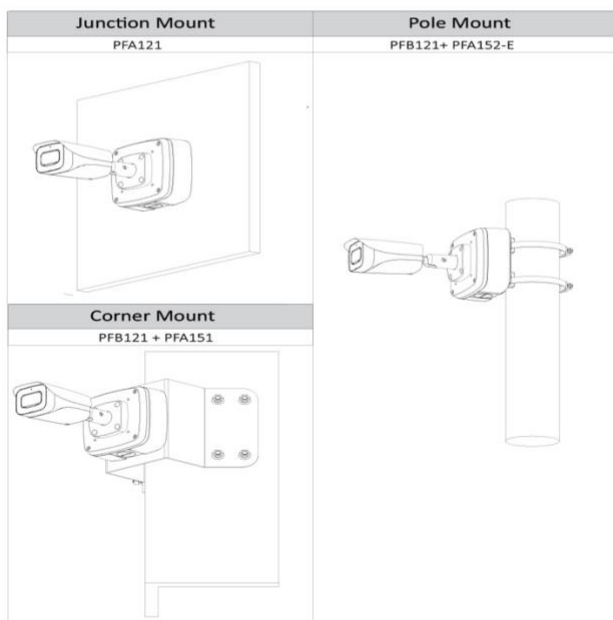
PFA121  
Junction box



PFA152-E  
Pole Mount



PFA151  
Corner Mount



# Dimensions:

