

PFB200C

IN-CEILING MOUNT BRACKET



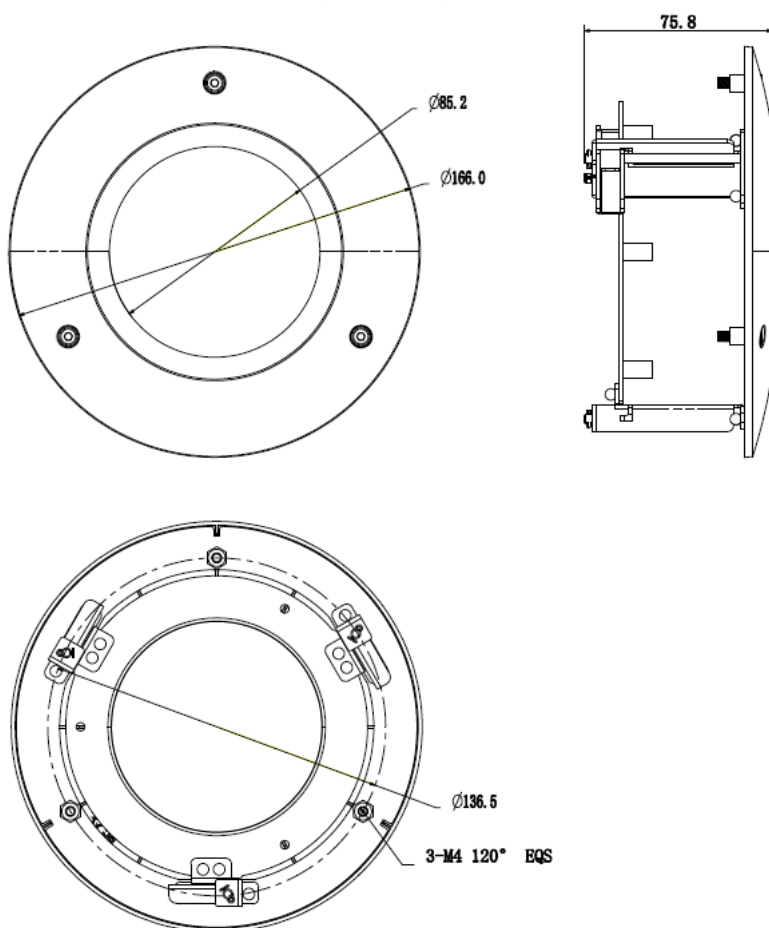
FEATURES:

- Aesthetic design
- In-ceiling mount bracket
- Material: SECC & PC

Specifications:

Model	PFB200C
General	
Material	SECC & PC
Dimension	φ166mm x 75.8mm (φ6.54" x 2.98")
Inch Thread	G3/4"
Operating Temperature	-40°C ~+60°C (-40°F~+140°F)
Humidity	0~90% RH
Load Bearing	1Kg (2.2lb)
Weight	0.32Kg (0.71lb)
Color	White
Applicable Model	TDODCS230V, TDODHS2.430MS, TDODHS430M, TDODHS8302, TDODIA330M, TDODIS450M, TDPTZHD2M4, TDPTZ2MP4

Dimensions (mm):



Application:

