

PFA114

MOUNT ADAPTER



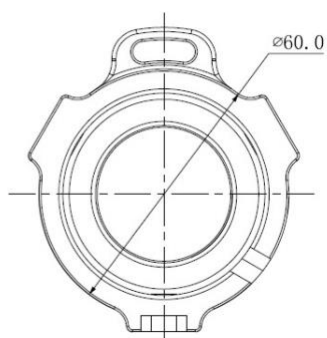
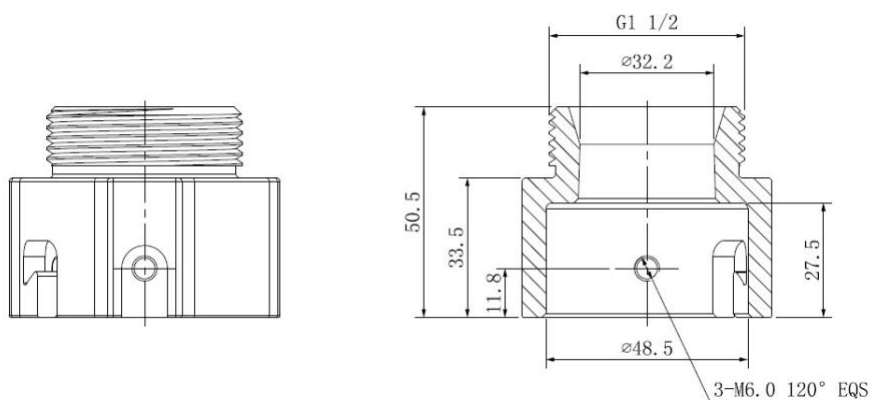
FEATURES:

- Aesthetic Design
- Material: Aluminum
- Mount adapter

Specifications:

Model	PFA114
General	
Material	Aluminum
Dimension	Φ60mm x 50.5mm (Φ2.36" x 1.99")
Pipe Thread	G1 1/2"
Load Bearing	7.0kg (15.43lb)
Weight	0.26kg (0.57lb)
Color	White
Operating Temperature	-40°C ~+60°C (-40°F~+140°F)
Humidity	<90% RH
Applicable Model	Please see "Accessory Selection"

Dimensions (mm):



Application:

