

PFA151

CORNER MOUNT BRACKET



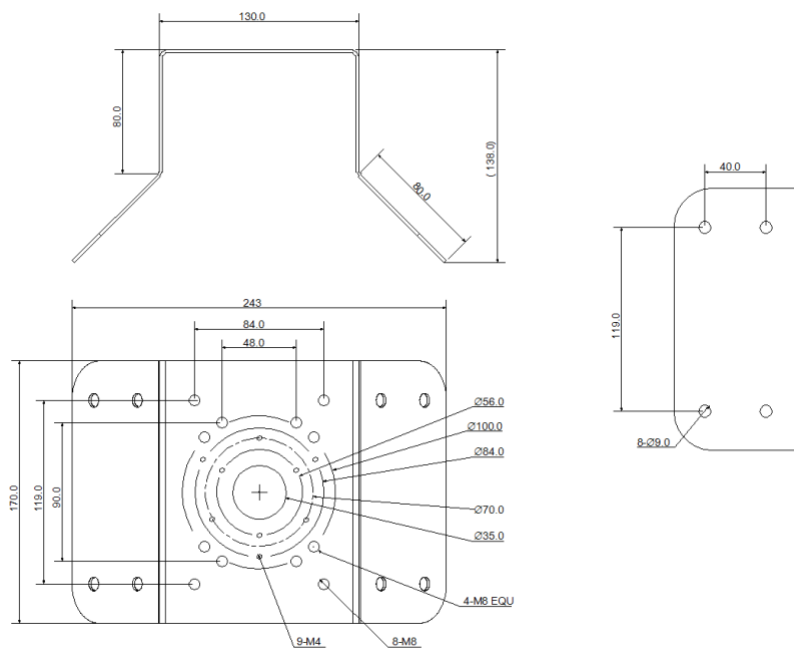
FEATURES:

- Material: SECC
- Corner Mount Bracket
- Aesthetic design

Specifications:

Model	PFA151
General	
Material	SECC
Dimension (W x H x D)	243mm x 170mm x 138mm (9.57" x 6.69" x 5.43")
Pipe Thread	N/A
Operating Temperature	-40°C ~+60°C (-40°F~+140°F)
Humidity	0~90% RH
Load Bearing	10.0Kg (22.05lb)
Weight	1.7Kg (3.75lb)
Applicable Model	PFA134, PFA135, PFA121, PFA137, PFA138, PFB203W AND PTZ BRACKETS

Dimensions (mm):



Application:

