

# PFB300S

## WALL MOUNT BRACKET



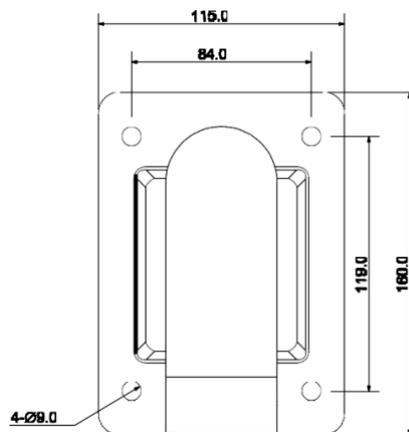
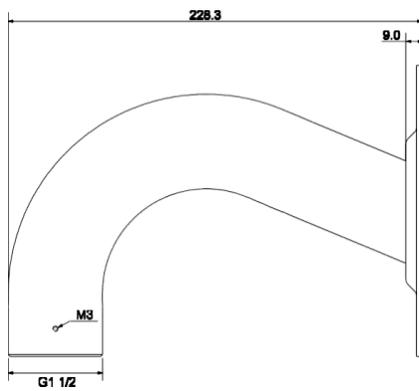
### FEATURES:

- Material: Aluminum
- Wall Mount Bracket
- Neat & Integrated design

# Specifications:

<b>Model</b>	<b>PFB300S</b>
<b>General</b>	
Material	Aluminum
Dimension (W x H x D)	115mmx 160mm x 228mm
Pipe Thread	G1 1/2"
Operating Temperature	-40°C ~60°C
Humidity	0~90% RH
Load Bearing	3.0Kg
Weight	0.49Kg
Applicable Model	Please see "Accessory Selection"

# Dimensions (mm):



# Application:

