

TDOEHS4502-POC

4MP HDCVI POC IR EYEBALL CAMERA



FEATURES:

- Max 30fps@4MP
- HD and SD output switchable
- 2.8mm fixed lens
- Max. IR length 164ft, Smart IR
- IP67, POC/DC12V

Specifications:

Model	TDOEHS4502-POC	
Camera		
Image Sensor	1/3" CMOS	
Effective Pixels	2688(H)×1520(V), 4.1MP	
Scanning System	Progressive	
Electronic Shutter Speed	PAL: 1/25~1/100000s NTSC: 1/30~1/100000s	
Min. Illumination	0.03Lux/F1.9, 30IRE, 0Lux IR on	
S/N Ratio	More than 65dB	
IR Distance	Up to 164ft	
IR On/Off Control	Auto / Manual	
IR LEDs	1	
Lens		
Lens Type	Fixed lens / Fixed iris	
Mount Type	Board-in	
Focal Length	2.8mm	
Max Aperture	F1.9	
Angle of View	H: 99.7°	
Focus Control	N/A	
Close Focus Distance	1100mm (800mm/2600mm) 43.3" (31.5"/102.4")	
DORI Distance		
Note: The DORI distance is a "general proximity" of distance which makes it easy to pinpoint the right camera for your needs. The DORI distance is calculated based on sensor specification and lab test result according to EN 62676-4 which defines the criteria for Detect, Observe, Recognize and Identify respectively.		
	DORI Definition	Distance
Detect	25px/m (8px/ft)	63m(208ft)
Observe	63px/m (19px/ft)	25m(83ft)
Recognize	125px/m (38px/ft)	13m(42ft)

Identify	250ppm (76px/ft)	6m(21ft)
Pan / Tilt / Rotation		
Pan/Tilt Range	Pan: 0° ~ 360°; Tilt: 0° ~ 78°, Rotation: 0° ~ 360°	
Video		
Resolution	4MP (2560x1440)	
Frame Rate	25/30fps@4MP, 25/30fps@1080P, 25/30fps@720P	
Video Output	1-channel BNC high definition video output / CVBS video output (Can switch)	
Day/Night	Auto (ICR) / Manual	
OSD Menu	Multi-language	
BLC Mode	BLC / HLC / DWDR	
WDR	DWDR	
Gain Control	AGC	
Noise Reduction	2D	
White Balance	Auto / Manual	
Smart IR	Auto / Manual	
Certifications		
Certifications	CE (EN55032, EN55024, EN50130-4) FCC (CFR 47 FCC Part 15 subpartB, ANSI C63.4-2014) UL (UL60950-1+CAN/CSA C22.2 No.60950-1)	
Interface		
Audio Interface	N/A	
Electrical		
Power Supply	POC/12V DC ±25%	
Power Consumption	Max 4.6W (12V DC, IR on)	
Environmental		
Operating Conditions	-40°C ~ +60°C (-40°F ~ +140°F) / Less than 90% RH * Start up should be done at above -40°C (-40°F)	
Storage Conditions	-40°C ~ +60°C (-40°F ~ +140°F) / Less than 90% RH	
Ingress Protection & Vandal Resistance	IP67	
Construction		

Casing	Aluminium
Dimensions	Φ106mm×93.7mm (Φ4.17"×3.69")
Net Weight	0.43kg (0.95lb)
Gross Weight	0.56kg (1.23lb)

Accessories:

Optional:



PFA130-E
Junction box



PFB204W
Wall mount



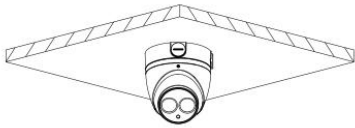
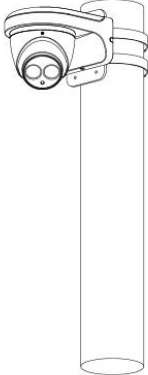
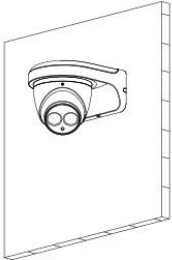
PFA152-E
Pole mount



PFM321
12V 1A Power
Adapter



PFM320D-015
Power Adapter

Junction Mount	Pole Mount
PFA130-E	PFB204W + PFA152-E
	
Wall Mount	
PFB204W	
	

Dimensions:

