

PFA134

WATER-PROOF JUNCTION BOX



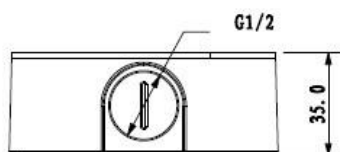
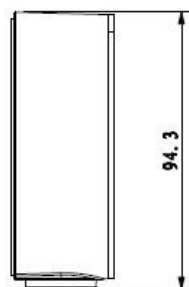
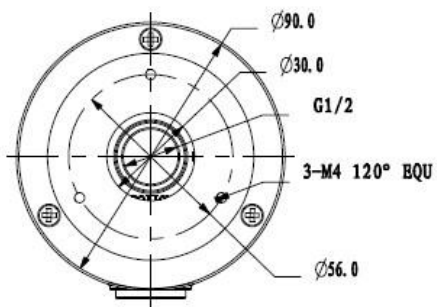
FEATURES:

- Aesthetic design
- Material: Aluminum & SECC
- Water-proof junction box

Specifications:

Model	PFA134
General	
Material	Aluminum & SECC
Dimension	φ90x35mm (φ3.54"x1.38")
Inch Thread	M20(G1/2")
Load Bearing	1.0Kg (2.2lb)
Weight	0.26Kg (0.57lb)
Color	White
Operating Temperature	-40°C ~+60°C (-40°F~+140°F)
Humidity	0~90% RH
Applicable Model	TDOBCS2203, TDOBHS4202, TDOBHS4303-POC, TDOBIA330, TDOBIS430

Dimensions (mm):



Application:

