

# PFB204W

## WATER-PROOF WALL MOUNT BRACKET



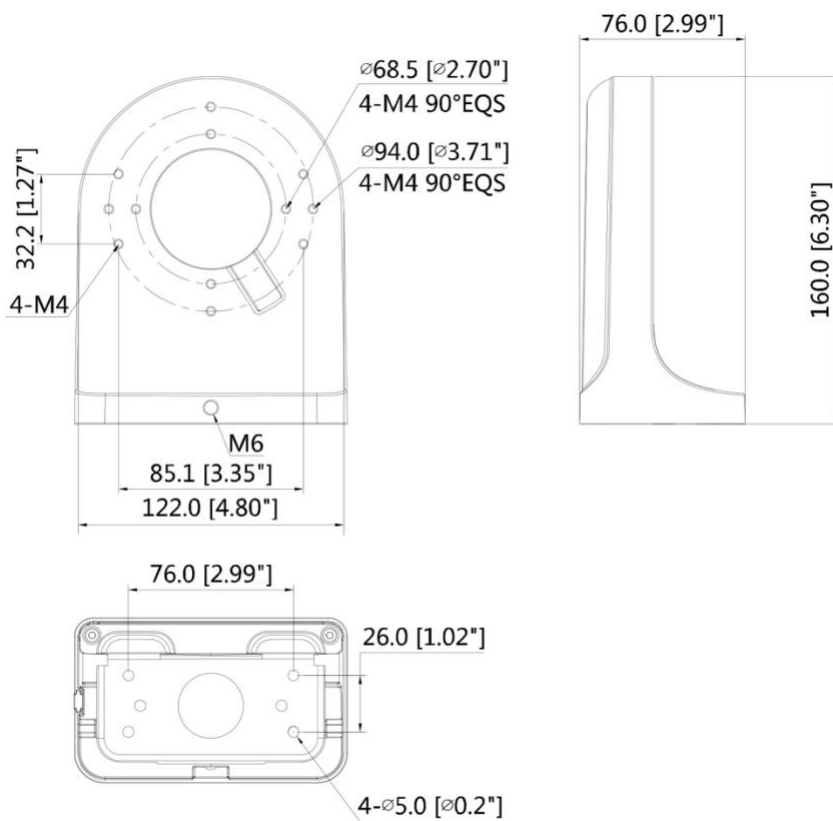
### FEATURES:

- Aesthetic design
- Water-proof wall mount bracket
- Material: aluminum & SECC

### Specifications:

<b>Model</b>	<b>PFB204W</b>
<b>General</b>	
Material	Aluminum & SECC
Dimension (W x H x D)	160mm x 122mm x 76mm (6.30" x 4.80" x 2.99")
Weight	0.49Kg (1.08lb)
Load Bearing	1.0Kg (2.2lb)
Color	White
Operating Temperature	-40°C ~+60°C (-40°F~+140°F)
Humidity	<90% RH
Applicable Model	TDOECS2202, TDOEHS4204, TDOECS2502A, TDOEHS2502S, TDOEHS2502SB TDOEHS4502A, TDOEHS4502-POC, TDOEHS6502A, TDOEIS4502A, TDOEY8302X

## Dimensions (mm):



## Application:

