

# PFB203W

## WATER-PROOF WALL MOUNT BRACKET



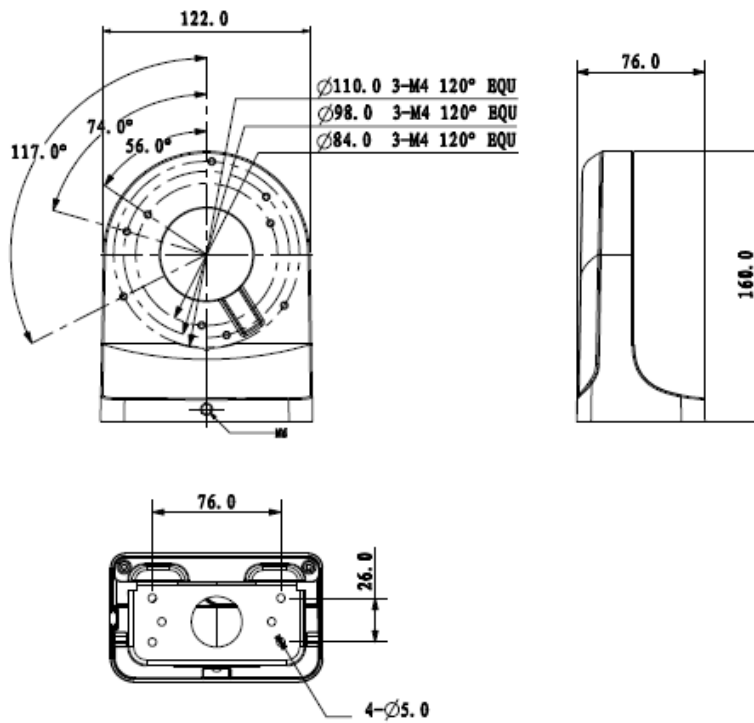
### FEATURES:

- Aesthetic design
- Water-proof wall mount bracket
- Material: aluminum & SECC

### Specifications:

<b>Model</b>	<b>PFB203W</b>
<b>General</b>	
Material	Aluminum & SECC
Dimension (WxHxD)	φ160mmx122mmx76mm (6.30" x 4.80" x 2.99")
Weight	0.5Kg (1.1lb)
Load Bearing	1.0Kg (2.2lb)
Color	White
Operating Temperature	-40°C ~+60°C (-40°F~+140°F)
Humidity	<90% RH
Applicable Model	TDODCS230V, TDODHS2.430MS, TDOEHS2.460M, TDODHS430M, TDODHS8302, TDOEHS8502A, TDODIY330W, TDODIA330, TDODIA330M, TDODIS430, TDODIS450M, TDPTZHD2M4, TDPTZ2MP4

## Dimensions (mm):



## Application:

