

PFB121W



Wall Mount Bracket



Features

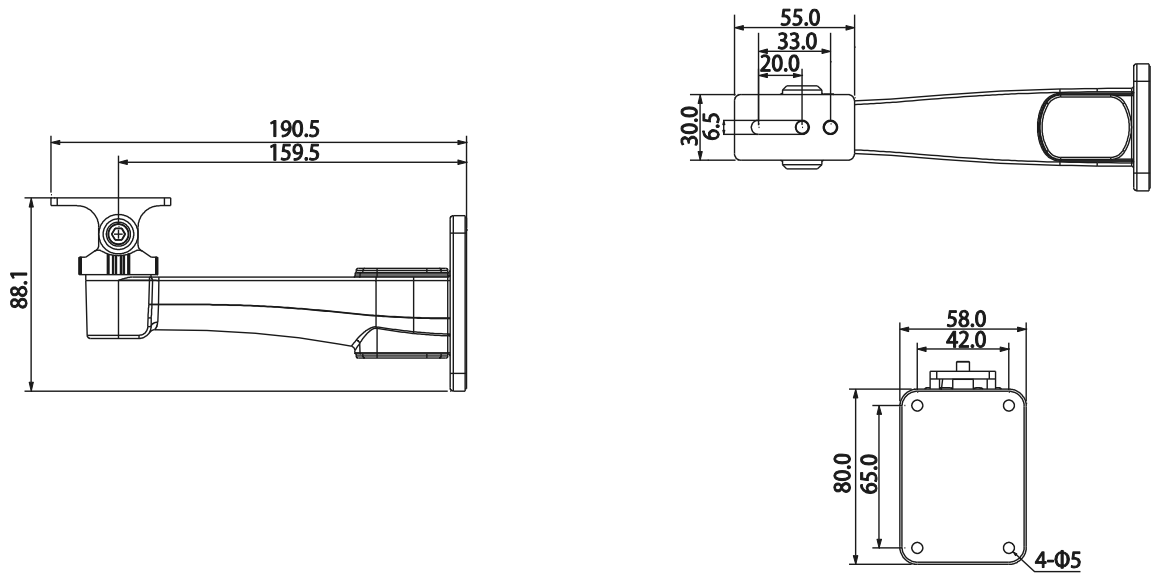
- Material: Aluminum
- Wall Mount Bracket
- Neat & Integrated design

Specifications

Model	PFB121W
General	
Material	Aluminum
Dimension (W x H x D)	2.28 in x 3.4 in x 7.5 in
Pipe Thread	N/A
Operating Temperature	-40°F ~140°F
Humidity	0~90% RH
Load Bearing	2.2 lb
Weight	.52 lb
Applicable Model	Please see "Accessory Selection"

PFB121W

Dimensions (mm)



Application

