

PFA107

Adapter Plate of PT Network



Features

- Neat & Integrated design .
- Material: Aluminum .

PFA107

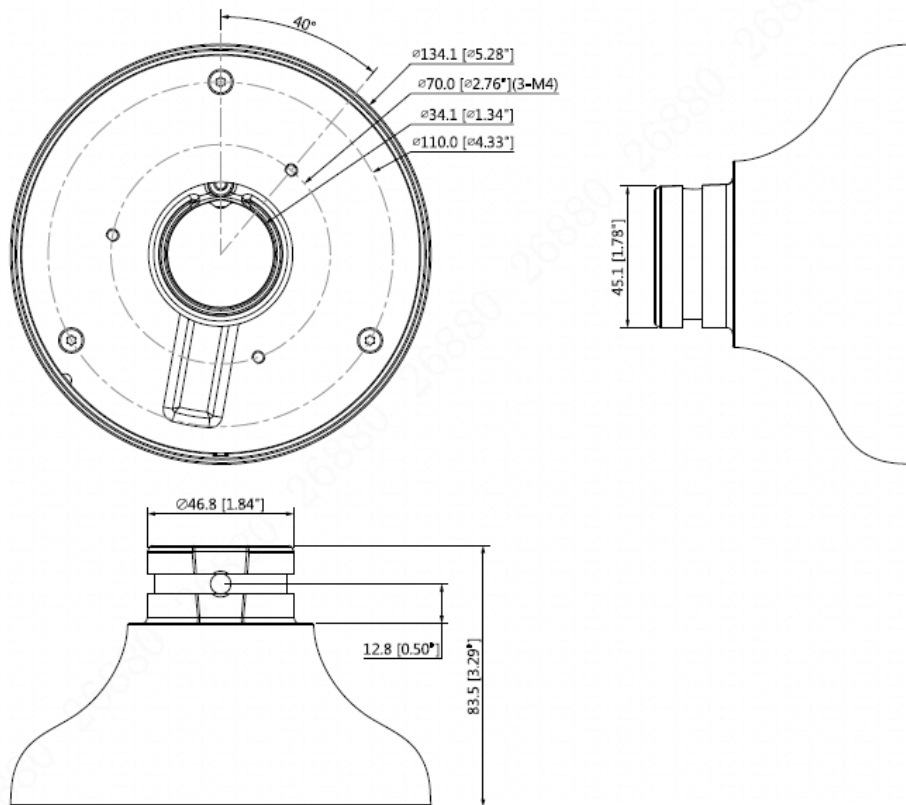
Technical Specifications

Model	PFA107
General	
Material	Aluminum
Dimension (W x H x D)	Φ134.1 mmx83.5 mm(Φ5.28"x3.29")
Weight	0.29kg(0.64lb)
Load Bearing	1kg(2.2lb)
Color	White
Operating Temperature	-40°C ~60°C(-40 ~ 140)
Humidity	<90% RH
Applicable Model	DH-PFB305W, DH -PFB220C

Order Information

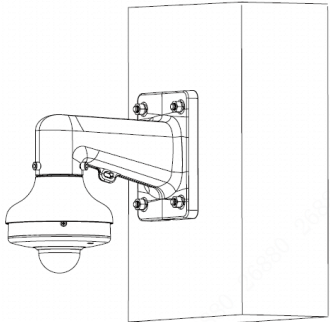
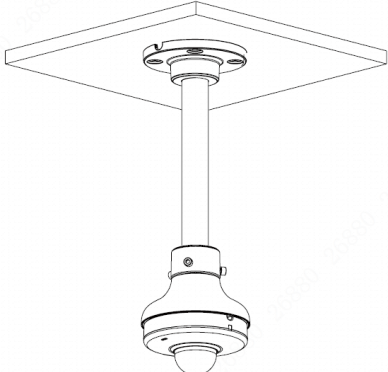
Type		Description
Camera Mount Series		Adapter plate _ Dahua brand
		Adapter plate _Neutral, no brand
		Wall mount bracket _ Dahua brand
		Wall mount bracket _Neutral, no brand
		Ceiling mount bracket _ Dahua brand
		Ceiling mount bracket _Neutral, no brand

Dimensions (mm/inch)



PFA107

Application

Wall Mount	Ceiling Mount
PFB305W+PFA107	PFB220C+PFA107
 A technical line drawing showing a PFA107 light fixture mounted on a wall. The fixture is connected to a rectangular wall plate via a curved arm. The wall plate is secured to the wall with four screws.	 A technical line drawing showing a PFA107 light fixture mounted on a ceiling. The fixture is suspended from a square ceiling plate by a long, vertical stem. The ceiling plate is secured with four screws.

Package Information

Adapter plate *1

M4x10 * 3
