

Controller Indicators Description and Troubleshooting



Indicator No. 1 (CHARGE): When there is sun, the solar panel has voltage output, this indicator will light red.

Indicator No. 2 (BATTERY): Battery level indicator.

- a) Flashing red light: battery power $\leq 25\%$
- b) Red and green flashing alternately: battery power $\leq 50\%$
- c) Flashing green light: battery power $\leq 75\%$
- d) Steady green light: battery power $> 75\%$

Indicator No. 3 (LOAD): Voltage output indicator, when the controller has power output, this indicator will light green.

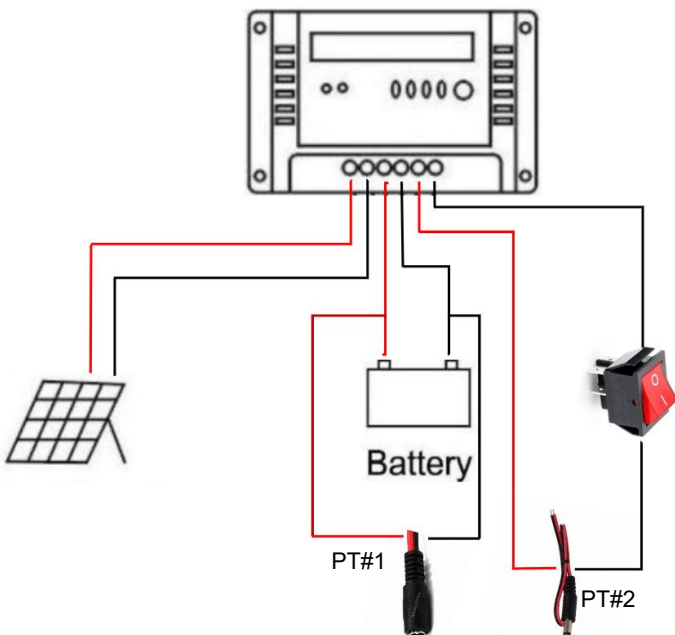
Troubleshooting:

1) Three indicator lights flash alternately (With sunlight)

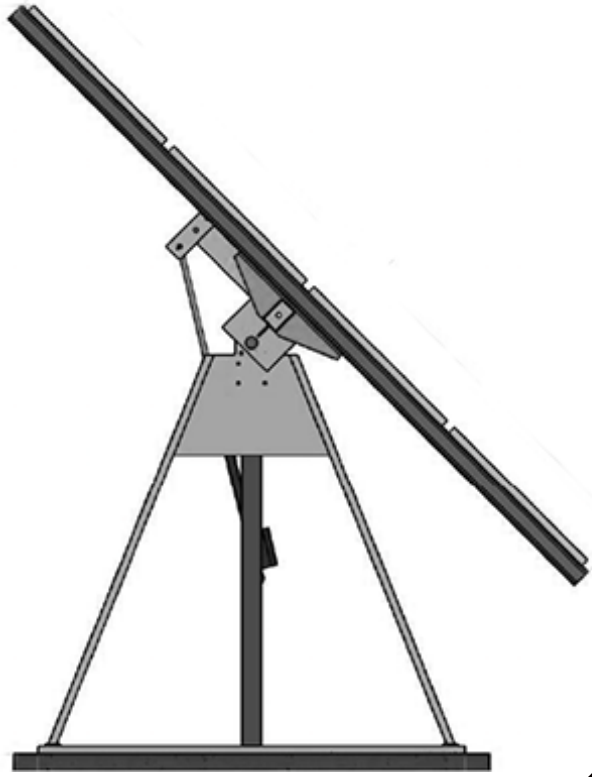
- a) The battery cable is open
- b) No battery
- c) Damaged battery

2) The first two lights (Charge & Battery) are on, the last one (LOAD) is off (With sunlight)

- a) Battery has no power and is charging
- b) Controller is broken



PT#1 is for continuous output
PT#2 is for controlled output



The solar panels need to be at 25° of inclination and facing south to maximize sun exposure.

TDSB80



TDSB35

