



TDODIS830P HD Panorama Multi-sensor Dome Network Camera

Quick Start Guide








Foreword

General

This manual introduces the functions, installation and operations of the camera.

Safety Instructions

The following categorized signal words with defined meaning might appear in the manual.

Signal Words	Meaning
 DANGER	Indicates a high potential hazard which, if not avoided, will result in death or serious injury.
 WARNING	Indicates a medium or low potential hazard which, if not avoided, could result in slight or moderate injury.
 CAUTION	Indicates a potential risk which, if not avoided, may result in property damage, data loss, lower performance, or unpredictable result.
 TIPS	Provides methods to help you solve a problem or save you time.
 NOTE	Provides additional information as the emphasis and supplement to the text.

Revision History

Version	Revision Content	Release Date
V1.0.1	Updated "Important Safeguards and Warnings."	April 2021
V1.0.0	First release.	March 2018

About the Manual

- The manual is for reference only. If there is inconsistency between the manual and the actual product, the actual product shall prevail.
- We are not liable for any loss caused by the operations that do not comply with the manual.
- The manual would be updated according to the latest laws and regulations of related jurisdictions. For detailed information, refer to the paper manual, CD-ROM, QR code or our official website. If there is inconsistency between paper manual and the electronic version, the electronic version shall prevail.
- All the designs and software are subject to change without prior written notice. The product updates might cause some differences between the actual product and the manual. Please contact the customer service for the latest program and supplementary documentation.
- There still might be deviation in technical data, functions and operations description, or errors in print. If there is any doubt or dispute, we reserve the right of final explanation.
- Upgrade the reader software or try other mainstream reader software if the manual (in PDF

format) cannot be opened.

- All trademarks, registered trademarks and the company names in the manual are the properties of their respective owners.
- Please visit our website, contact the supplier or customer service if there is any problem occurring when using the device.
- If there is any uncertainty or controversy, we reserve the right of final explanation.

Important Safeguards and Warnings

Electrical safety

- All installation and operation should conform to your local electrical safety codes.
- The power source shall conform to the Safety Extra Low Voltage (SELV) standard, and supply power with rated voltage which conforms to Limited Power Source requirement according to IEC60950-1. Please note that the power supply requirement is subject to the device label.
- Make sure the power supply is correct before operating the device.
- A readily accessible disconnect device shall be incorporated in the building installation wiring.
- Prevent the power cable from being trampled or pressed, especially the plug, power socket and the junction extruded from the device.

Environment

- Do not aim the device at strong light to focus, such as lamp light and sun light; otherwise it might cause over brightness or light marks, which are not the device malfunction, and affect the longevity of Complementary Metal-Oxide Semiconductor (CMOS).
- Do not place the device in a damp or dusty environment, extremely hot or cold temperatures, or the locations with strong electromagnetic radiation or unstable lighting.
- Keep the device away from any liquid to avoid damage to the internal components.
- Keep the indoor device away from rain or damp to avoid fire or lightning.
- Keep sound ventilation to avoid heat accumulation.
- Transport, use and store the device within the range of allowed humidity and temperature.
- Heavy stress, violent vibration or water splash are not allowed during transportation, storage and installation.
- Pack the device with standard factory packaging or the equivalent material when transporting the device.
- Install the device in the location where only the professional staff with relevant knowledge of safety guards and warnings can access. The accidental injury might happen to the non-professionals who enter the installation area when the device is operating normally.

Operation and Daily Maintenance

- Do not touch the heat dissipation component of the device to avoid scald.
- Carefully follow the instructions in the manual when performing any disassembly operation about the device; otherwise, it might cause water leakage or poor image quality due to unprofessional disassembly. Please make sure that the gasket ring is flat and properly installed in the groove before installing the cover. Please contact after-sale service for desiccant replacement if there is condensed fog on the lens after unpacking or when the desiccant turns green (Not all models are included with the desiccant).
- It is recommended to use the device together with lightning arrester to improve lightning protection effect.

- It is recommended connect the grounding hole to the ground to enhance the reliability of the device.
- Do not touch the image sensor directly (CMOS). Dust and dirt could be removed with air blower, or you can wipe the lens gently with soft cloth that moistened with alcohol.
- Device body can be cleaned with soft dry cloth, which can also be used to remove stubborn stains when moistened with mild detergent. To avoid possible damage on device body coating which could cause performance decrease, do not use volatile solvent such as alcohol, benzene, diluent and so on to clean the device body, nor can strong, abrasive detergent be used.
- Dome cover is an optical component, do not touch or wipe the cover with your hands directly during installation or operation. For removing dust, grease or fingerprints, wipe gently with moisten oil-free cotton with diethyl or moisten soft cloth. You can also air blower to remove dust.

**WARNING**

- Please strengthen the protection of network, device data and personal information by adopting measures which include but not limited to using strong password, modifying password regularly, upgrading firmware to the latest version, and isolating computer network. For some device with old firmware versions, the ONVIF password will not be modified automatically along with the modification of the system password, and you need to upgrade the firmware or manually update the ONVIF password.
- Use standard components or accessories provided by manufacturer and make sure the device is installed and maintained by professional engineers.
- The surface of the image sensor should not be exposed to laser beam radiation in an environment where a laser beam device is used.
- Do not provide two or more power supply sources for the device unless otherwise specified. A failure to follow this instruction might cause damage to the device.

Table of Contents

Foreword	II
Important Safeguards and Warnings	IV
1 Introduction	1
1.1 Cable	1
1.2 Connecting Alarm Input/output	2
2 Network Configuration	4
2.1 Initializing Device.....	4
2.2 Modifying Device IP Address.....	5
2.3 Logging in to Web Interface.....	6
3 Installation	8
3.1 Packing List.....	8
3.2 Dimension.....	8
3.3 Installing Device	9
3.3.1 Installation Method.....	9
3.3.2 Installing SD Card (Optional)	10
3.3.3 Attaching Device.....	11
3.3.4 Installing Waterproof Connector.....	13
3.3.5 Adjusting Angle.....	14

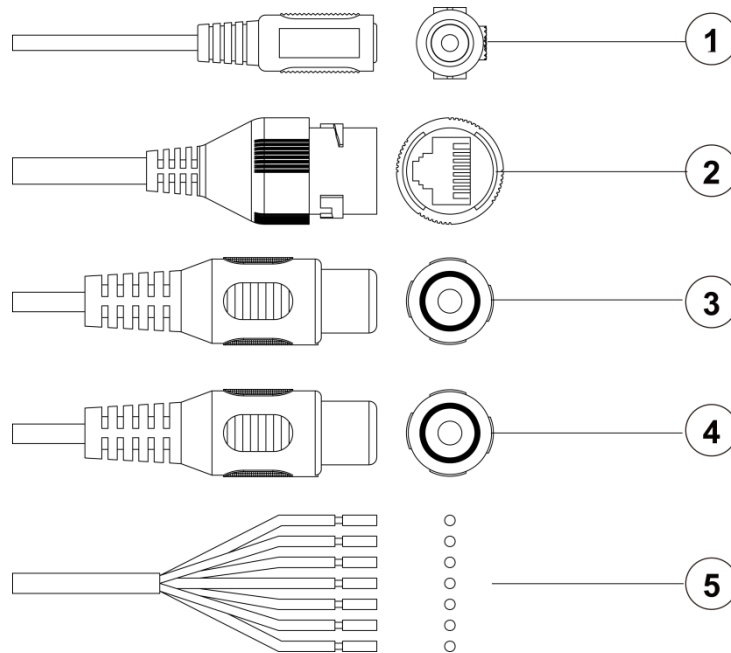
1 Introduction

1.1 Cable



- Cable type might vary with different devices, and the actual product shall prevail.
- Please waterproof all the cable joints with insulating tape and waterproof tape to avoid short circuit and water damage. For the detailed operation, see the FAQ manual.

Figure 1-1 Cable list



For more information about cable ports, see Table 1-1.



Table 1-1 Cable information

No.	Port Name	Function Description
1	DC 12V/AC 24V power input	<p>Inputs DC 12V or AC 24V. Please be sure to supply power as instructed in the Guide.</p> <p> Please use round port to 2PIN converter cable when using AC 24V for power supply.</p> <p> Device abnormality or damage could occur if power is not supplied correctly.</p>
2	Ethernet port	<p>Connects to standard Ethernet cable.</p> <p> PoE is available on select model.</p>
3	Audio input	Connects to sound-pick-up device to receive audio signal.

No.	Port Name	Function Description
4	Audio output	Connects to speaker to output audio signal.
5	Alarm I/O	Alarm signal input/output. Please refer to Table 1-2 for more details.

For more information about I/O port, see Table 1-2.

Table 1-2 Alarm information

Port name	No.	Connector name	Function description
I/O port	1	ALARM_OUT1	Alarm output port 1, output alarm signal to alarm device.
	2	ALM_OUT_GND1	 ALARM_OUT1 can only be used cooperatively with ALM_OUT_GND1 when connecting to alarm device.
	3	ALARM_IN1	Alarm input port 1, it is to receive on-off signal of external alarm source.
	4	ALARM_IN2	Alarm input port 2, it is to receive on-off signal of external alarm source.
	5	ALM_IN_GND	Alarm input GND.
	6	ALARM_OUT2	Alarm output port 2, output alarm signal to alarm device.
	7	ALM_OUT_GND2	 ALARM_OUT 2 can only be used cooperatively with ALM_OUT_GND 2 when connecting to alarm device.

1.2 Connecting Alarm Input/output



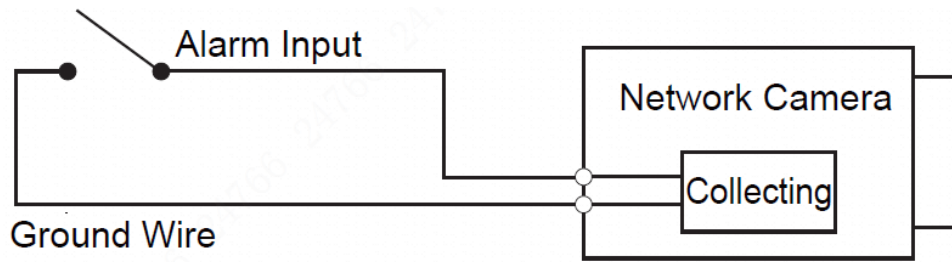
Alarm input/output is available on select models.

Step 1 Connect alarm input device to the alarm input end of the I/O port.

Device collects different states of alarm input port when the input signal is idling and being grounded.

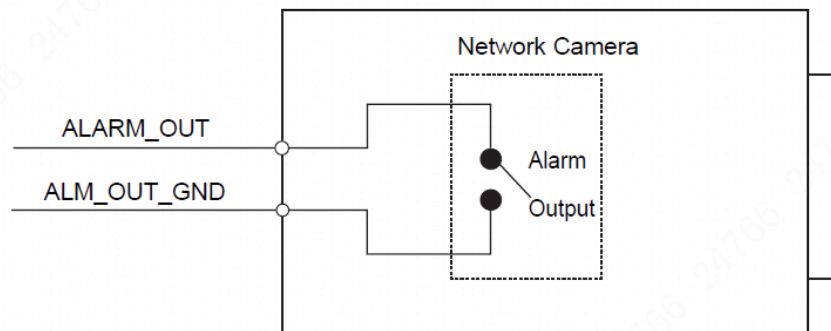
- Device collects logic "1" when input signal is connecting to +3V to +5V or idling.
- Device collects logic "0" when input signal being grounded.

Figure 1-2 Alarm input



Step 2 Connect alarm output device to the alarm output end of the I/O port. The alarm output is relay switch output, which can only connect to NO alarm devices. The ALARM_OUT port and the ALARM_OUT_GND port with the same number constitute a switch for alarm output, see Figure 1-3. The switch is open normally and closes when there is alarm output.

Figure 1-3 Alarm output



Step 3 Log in web interface, and configure alarm input and alarm output in alarm setting.

- The alarm input in the web interface is corresponding to the alarm input end of the I/O port. There will be high level and low level alarm signal generated by the alarm input device when alarm occurs, set the input mode to "NO" (default) if the alarm input signal is logic "0" and to "NC" if the alarm input signal is logic "1".
- The alarm output in the web interface is corresponding to the alarm output end of the device, which is also alarm output end of the I/O port.

2 Network Configuration

Device initialization and IP setting can be finished with the "ConfigTool" or in web interface. For more information, see the *WEB operation manual*.



- Device initialization is available on select models, and it is required at first use and after device is being reset.
- Device initialization is available only when the IP addresses of the device (192.168.1.108 by default) and the PC stays in the same network segment.
- Planning useable network segment properly to connect the device to the network.
- The following figures and interfaces are for reference only, and the actual product shall prevail.

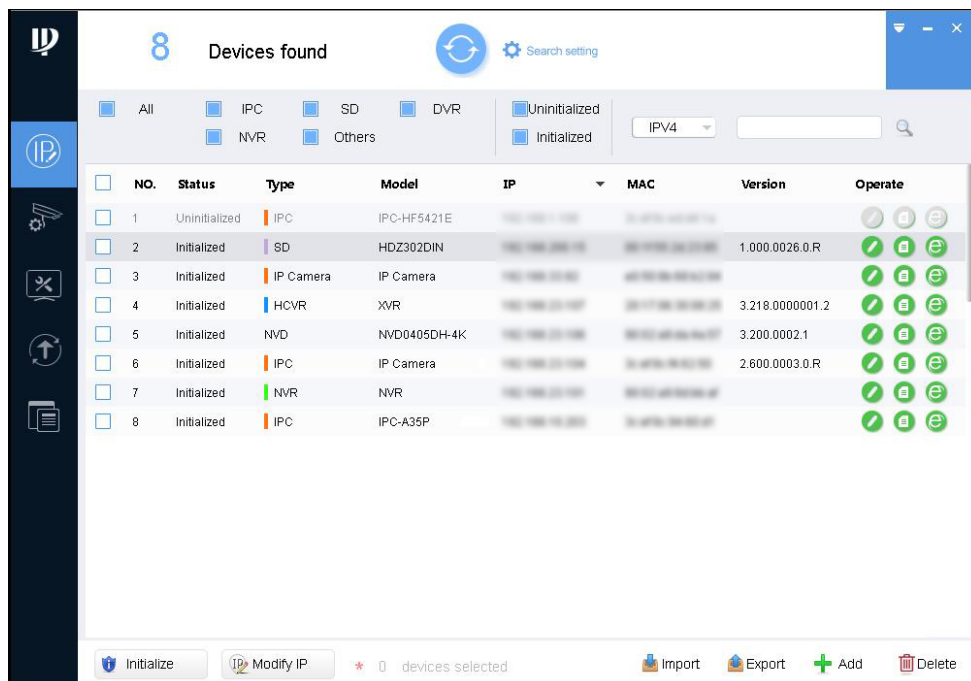
2.1 Initializing Device

Step 1 Double-click "ConfigTool.exe" to open the tool.

Step 2 Click .

The **Modify IP** interface is displayed. See Figure 2-1.

Figure 2-1 Modify IP interface



Step 3 Click **Search setting**.

The **Setting** interface is displayed.

Step 4 Enter the start IP and end IP of the network segment in which you want to search devices, and then click **OK**.

All the devices found in the network segment are listed.

Step 5 Select one or several devices whose **Status** are **Uninitialized**, and then click **Initialize**.

The **Device initialization** interface is displayed.

Step 6 Select the devices that need initialization, and then click **initialize**.

The password setting interface is displayed. See Figure 2-2.

Figure 2-2 Password setting interface

Step 7 Set and confirm the password of the devices, and then enter a valid email address. Click **Next**.

The final setting interface is displayed.



Password can be modified or reset in **System Settings**.

Step 8 Select the options according to your needs and then click **OK**.

The **Initialization** interface is displayed after initializing is completed. Click the success icon (✓) or the failure icon (⚠) for the details.

Step 9 Click **Finish**.

The device status in the **Modify IP** interface (Figure 2-1) turns to **Initialized**.

2.2 Modifying Device IP Address



- You can modify IP address of one or multiple devices in one time. This section is based on modifying IP addresses in batch.
- Modifying IP addresses in batch is available only when the corresponding devices have the same login password.

Step 1 Double-click "ConfigTool.exe" to open the tool.

Step 2 Click .

The **Modify IP** interface is displayed. See Figure 2-1.

- Step 3** Select the devices which IP addresses need to be modified, and then click **Modify IP**.
The **Modify IP Address** interface is displayed. See Figure 2-3.

Figure 2-3 Modify IP Address interface

- Step 4** Select **Static** mode and enter start IP, subnet mask and gateway.



- IP addresses of multiple devices will be set to the same if you select **Same IP**.
- If DHCP server is available in the network, devices will automatically obtain IP addresses from DHCP server when you select **DHCP**.

- Step 5** Click **OK**.

2.3 Logging in to Web Interface

- Step 1** Open IE browser, enter the IP address of the device in the address bar and press Enter.
If the setup wizard is displayed, follow the instructions to finish the settings.
- Step 2** Enter user name and password in the log in box, and then click **Login**.
- Step 3** For first time login, click **Click Here to Download Plugin** and install the plugin as instructed.
The main interface is displayed when the installation is finished. See Figure 2-4.

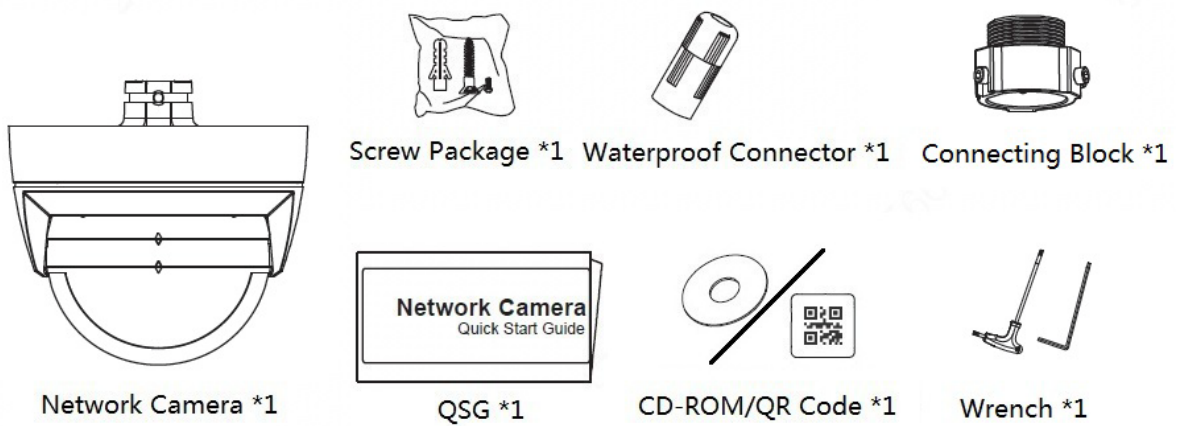
Figure 2-4 Main interface

3 Installation

3.1 Packing List



- The tool required for the installation such as electric drill is not provided in the packing.
- The operation manual and related tool are contained in the disk or the QR code, and the actual packing shall prevail.

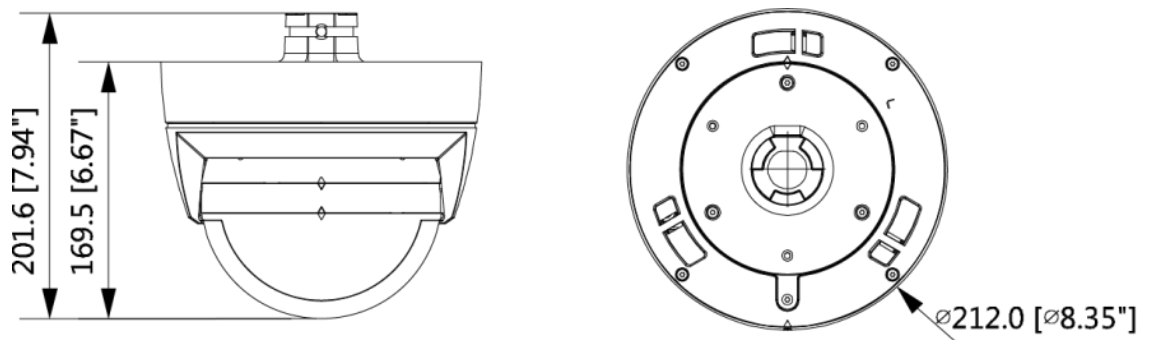


3.2 Dimension



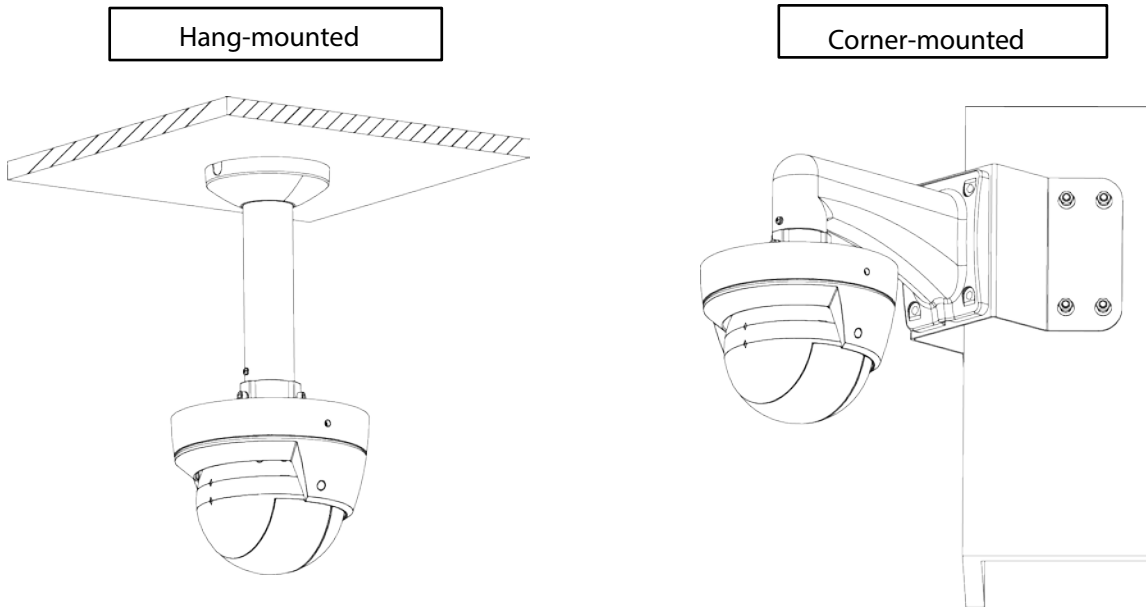
Following figures are for reference only, the actual product shall prevail.

Model Dimension (Unit: mm [in])

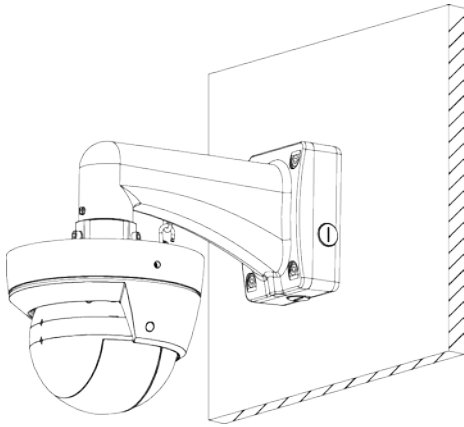


3.3 Installing Device

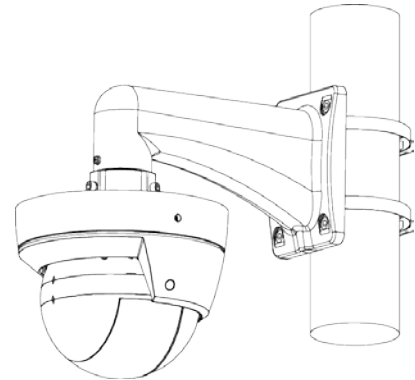
3.3.1 Installation Method



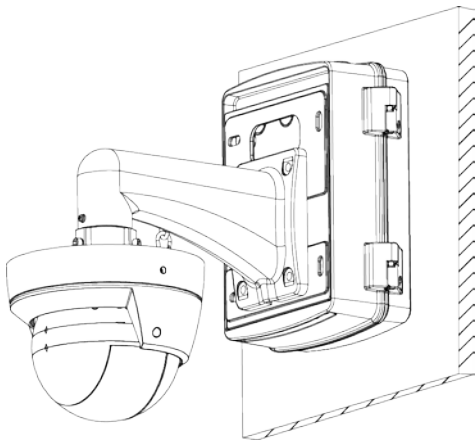
Wall-mounted



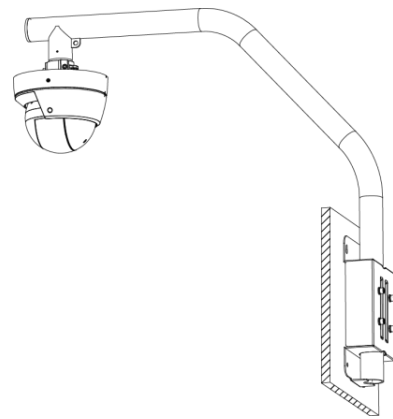
Pole-mounted



Wall-mounted 2



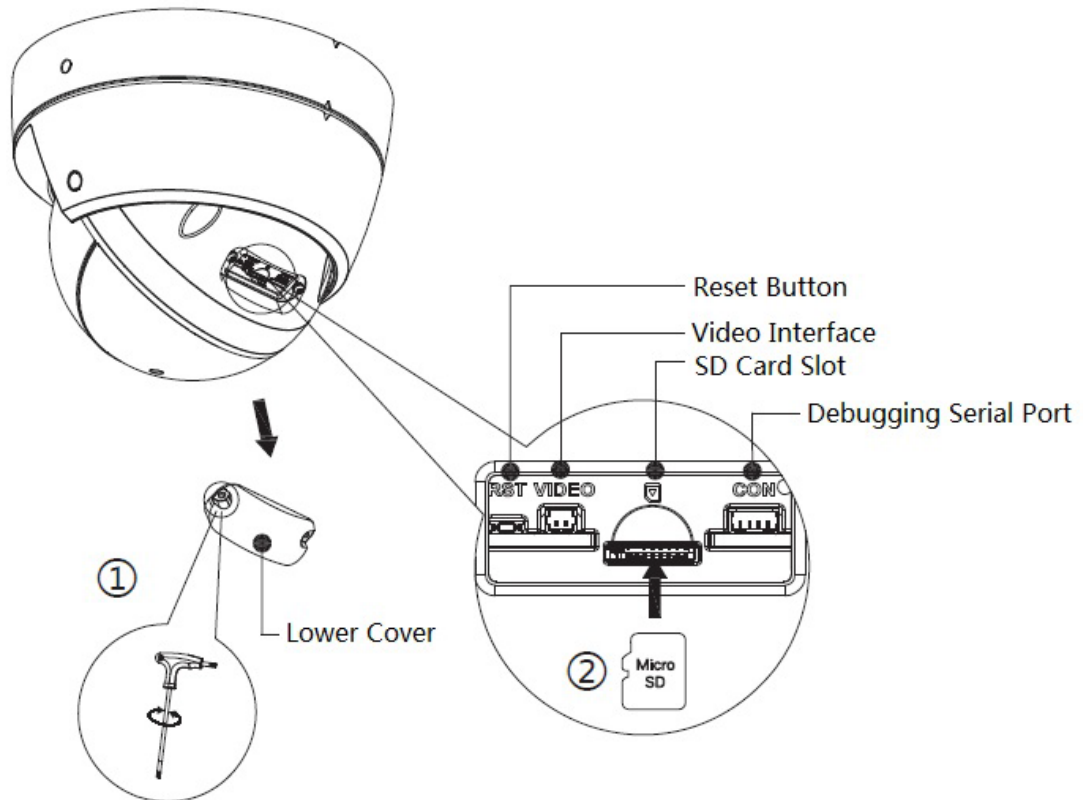
Pole-mounted via cross arm



3.3.2 Installing SD Card (Optional)



- SD card slot is available on select models.
- Please disconnect the power from the device before installing the SD card.
- Press the reset button for 10 seconds to reset the device.\
- It can connect to TV monitor via analog output cable and check image.

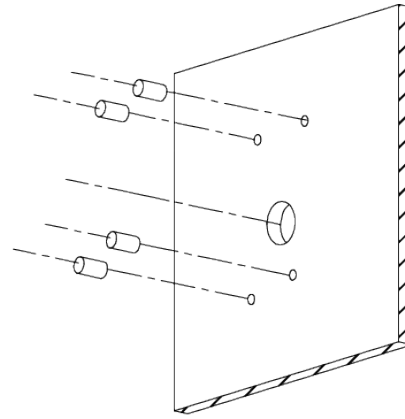
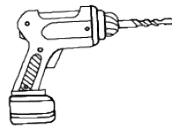


3.3.3 Attaching Device

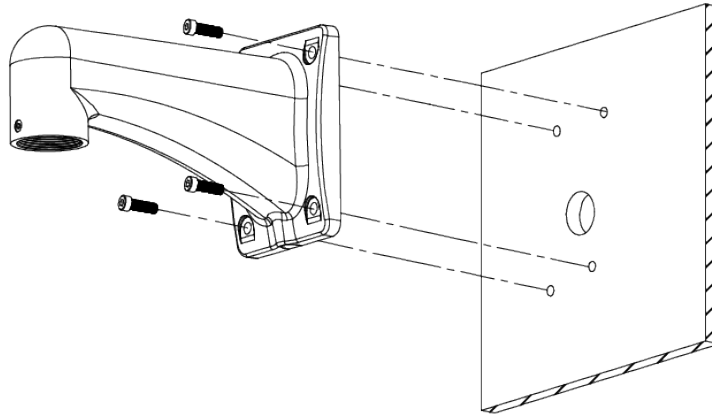


- The wall-mounted dome can be applied in indoor and outdoor hard wall.
- Make sure the mounting surface is strong enough to hold at least 8 times total weight of the device and bracket.

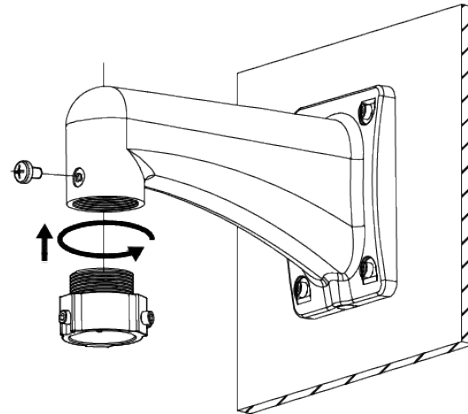
1



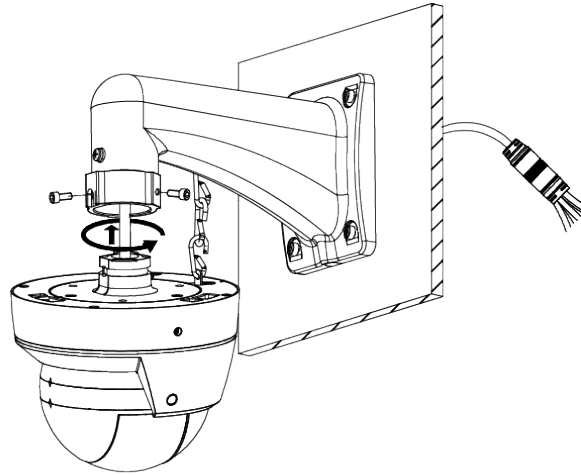
2



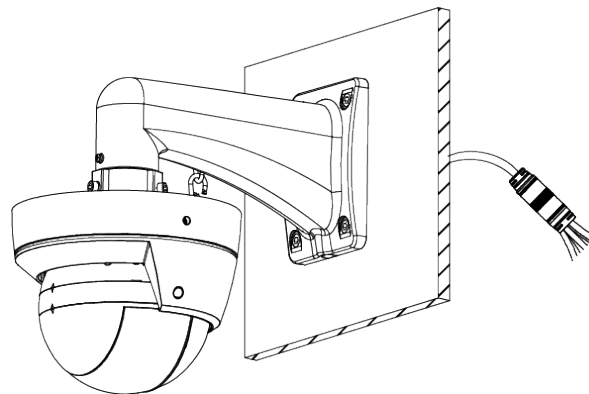
3



4



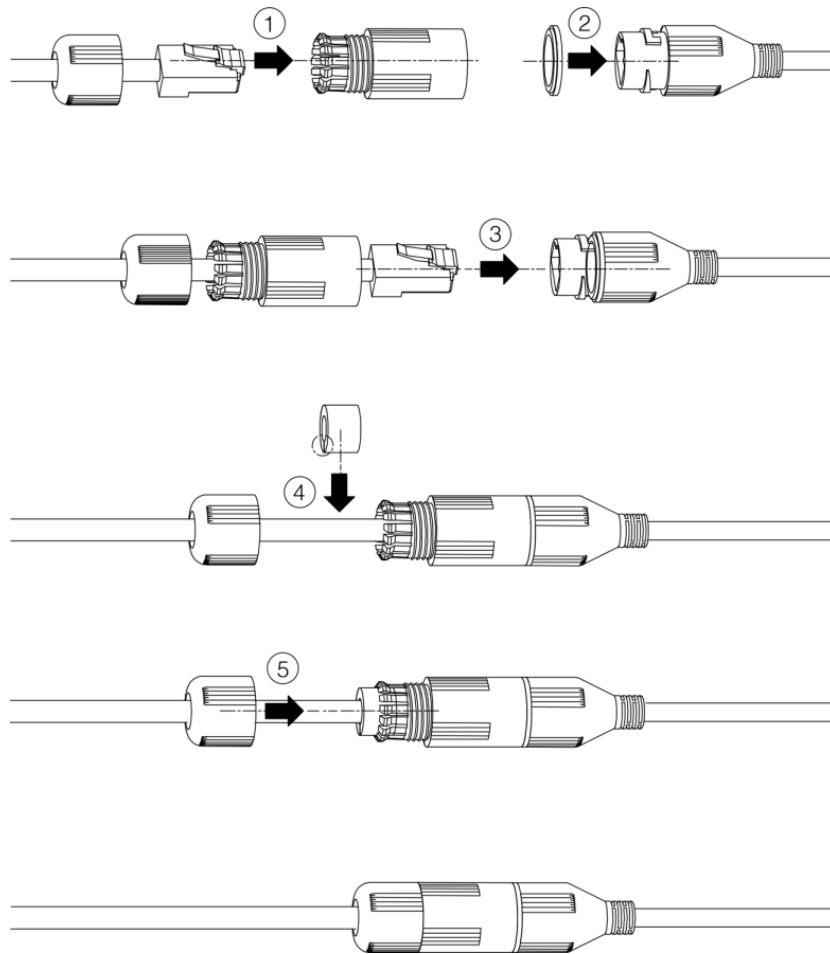
5



3.3.4 Installing Waterproof Connector



This part is only needed when a waterproof connector comes with the device and the device is used outdoors.



3.3.5 Adjusting Angle

