

# PFA124-B

## WATER-PROOF JUNCTION BOX



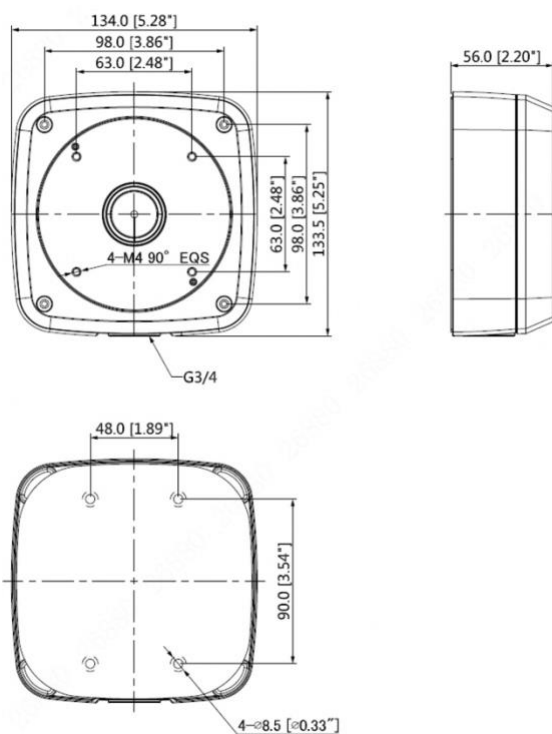
### FEATURES:

- Neat & Integrated design
- Material: Aluminum
- IP66

### Specifications:

<b>Model</b>	<b>PFA124-B</b>
<b>General</b>	
Material	Aluminum
Dimension (W x H x D)	134.0mmx133.5mmx56.0mm(5.28"x5.25"x2.2")
Pipe Thread	G3/4"
Weight	0.54Kg (1.19lb)
Load Bearing	3.0Kg (6.61lb)
Color	Black
Protection	IP66
Operating Temperature	-40°C ~+60°C (-40°F~+140°F)
Humidity	0~90% RH
Applicable Model	TDOBHS6P

## Dimensions (mm):



## Application:

