

# TDOMCHS2202A

## 2MP MOBILE HDCVI IR CUBE CAMERA



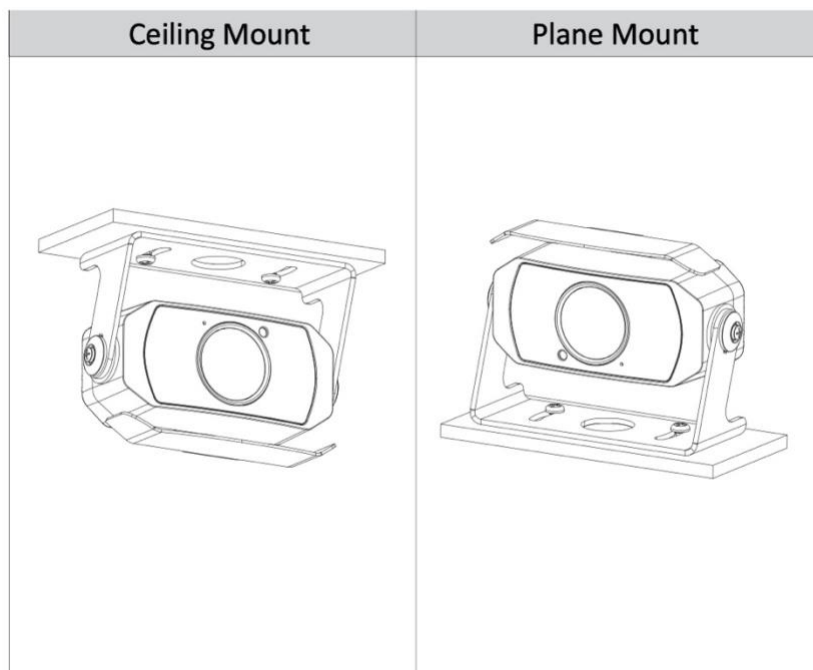
### FEATURES:

- Max 30fps@1080P
- HDCVI output (Aviation connector)
- 3.6mm fixed lens (2.8mm optional)
- Max. IR length 20m, Smart IR
- IP67, DC12V
- Shock-proof

# Specifications:

<b>Model</b>	<b>TDOMCHS2202A</b>
<b>Camera</b>	
Image Sensor	1/2.9" CMOS
Effective Pixels	1920(H)×1080(V), 2MP
Scanning System	Progressive
Electronic Shutter Speed	PAL: 1/25~1/100000s NTSC: 1/30~1/100000s
Minimum Illumination	0.02Lux/F2.0, 0Lux IR on
S/N Ratio	More than 65dB
IR Distance	Up to 20m (66 feet)
IR On/Off Control	Auto/Manual
IR LEDs	1
<b>Lens</b>	
Lens Type	Fixed lens / Fixed iris
Mount Type	Board-in
Focal Length	3.6mm (2.8mm Optional)
Max Aperture	F2.0
Angle of View	H: 82.8° (106°)
Focus Control	N/A
Close Focus Distance	800mm (500mm) 31.50" (19.69")
<b>Pan / Tilt / Rotation</b>	
Interface	Pan: 0° ~ 360° Tilt: 0° ~ 180° Rotation: N/A
<b>Video</b>	
Resolution	1080P (1920x1080)
Frame Rate	25/30fps@1080P, 25/30/50/60fps@720P
Video Output	1-channel BNC HDCVI high definition video output (Aviation connector)
Day/Night	Auto (ICR) / Manual
OSD Menu	Multi-language

BLC Mode	BLC / HLC / DWDR
WDR	DWDR
Gain Control	AGC
Noise Reduction	2D
White Balance	Auto / Manual
Smart IR	Auto / Manual
Mirror	Horizontal mirror (default)
<b>Certifications</b>	
Certifications	CE (EN55032, EN55024, EN50130-4) FCC (CFR 47 FCC Part 15 subpartB, ANSI C63.4-2014) UL (UL60950-1+CAN/CSA C22.2 No.60950-1) EN50155 (EN50121-3-2, IEC61373)
<b>Electrical</b>	
Power Supply	12V DC $\pm$ 25%
Power Consumption	Max 2.9W (12V DC, IR on)
<b>Environmental</b>	
Operating Conditions	-40°C ~ +70°C (-40°F ~ +158°F) / Less than 90% RH * Start up should be done at above -40°C (-40°F)
Storage Conditions	-40°C ~ +70°C (-40°F ~ +158°F) / Less than 95% RH
Ingress Protection & Vandal Resitance	IP67
<b>Construction</b>	
Casing	Aluminium
Dimensions	107.3mmx42.5x54.5mm (4.22"x1.67"x2.15")
Net Weight	0.31kg (0.68lb)
Gross Weight	0.42kg (0.93lb)



## Dimensions:

