

Figure 1-3 Mode A

Figure 1-4 Mode B

Step 3 Log in web interface, and configure alarm input and alarm output in alarm setting.

- z The alarm input in the web interface is corresponding to the alarm input end of the I/O port. There will be high level and low level alarm signal generated by the alarm input device when alarm occurs, set the input mode to "NO" (default) if the alarm input signal is logic "0" and to "NC" if the alarm input signal is logic "1".
- z The alarm output in the web interface is corresponding to the alarm output end of the device, which is also alarm output end of the I/O port.

2

Network Configuration

Device initialization and IP setting can be finished with the "ConfigTool" or in web interface. For more information, see the *WEB operation manual*.

NOTE

- Device initialization is available on select models, and it is required at first use and after device is being reset.
- Device initialization is available only when the IP addresses of the device (192.168.1.108 by default) and the PC stays in the same network segment.
- Planning useable network segment properly to connect the device to the network.
- The following figures and interfaces are for reference only, and the actual product shall prevail.

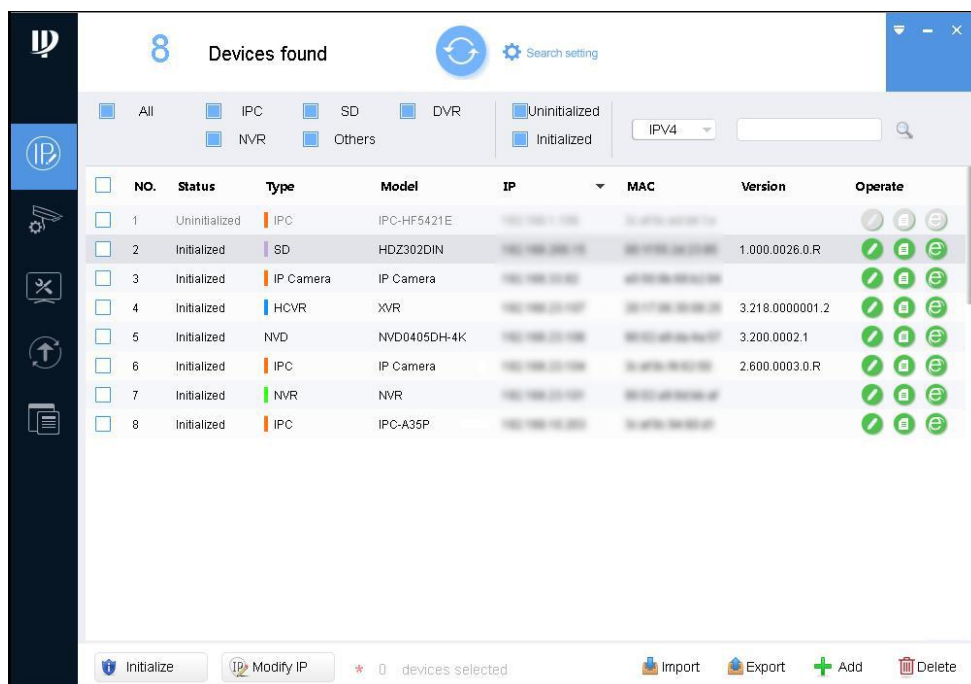
2.1 Initializing Device

Step 1 Double-click "ConfigTool.exe" to open the tool.

Step 2 Click .

The **Modify IP** interface is displayed. See Figure 2-1.

Figure 2-1 Modify IP interface



Step 3 Click **Search setting**.

The **Setting** interface is displayed.

Step 4 Enter the start IP and end IP of the network segment in which you want to search devices, and then click **OK**.

All the devices found in the network segment are listed.

Step 5 Select one or several devices which **Status** are **Uninitialized**, and then click **Initialize**. The **Device initialization** interface is displayed.

Step 6 Select the devices that need initialization, and then click **initialize**. The password setting interface is displayed. See Figure 2-2.

Figure 2-2 Password setting interface

Step 7 Set and confirm the password of the devices, and then enter a valid email address. Click **Next**.

The final setting interface is displayed.

 **NOTE**

Password can be modified or reset in **System Settings**.

Step 8 Select the options according to your needs and then click **OK**.

The **Initialization** interface is displayed after initializing is completed. Click the success icon (✓) or the failure icon (⚠) for the details.

Step 9 Click **Finish**.

The device status in the **Modify IP** interface (Figure 2-1) turns to **Initialized**.

2.2 Modifying Device IP Address

 **NOTE**

- You can modify IP address of one or multiple devices in one time. This section is based on modifying IP addresses in batch.
- Modifying IP addresses in batch is available only when the corresponding devices have the same login password.

Step 1 Follow Step 1 to Step 4 in 2.1 to search devices in your network segment.

 **NOTE**

After clicking **Search setting**, please make sure the **username** and **password** are the same as what you set during initialization, otherwise there will be "wrong password"

notice.

- Step 2** Select the devices which IP addresses need to be modified, and then click **Modify IP**. The **Modify IP Address** interface is displayed. See Figure 2-3.

Figure 2-3 Modify IP Address interface

The screenshot shows a web interface titled "Modify IP Address". It has a dark header bar with the title and a close button. Below the header, there are two radio buttons for "Mode": "Static" (which is selected) and "DHCP". Underneath, there are three input fields: "Start IP", "Subnet Mask", and "Gateway", each containing a placeholder ".". To the right of the "Start IP" field is a checkbox labeled "Same IP". At the bottom of the interface, there is a grey bar that says "Selected number of devices: 11" and an "OK" button.

- Step 3** Select **Static** mode and enter start IP, subnet mask and gateway.

NOTE

- IP addresses of multiple devices will be set to the same if you select **Same IP**.
- If DHCP server is available in the network, devices will automatically obtain IP addresses from DHCP server when you select **DHCP**.

- Step 4** Click **OK**.

2.3 Logging in Web Interface

- Step 1** Open IE browser, enter the IP address of the device in the address bar and press Enter.

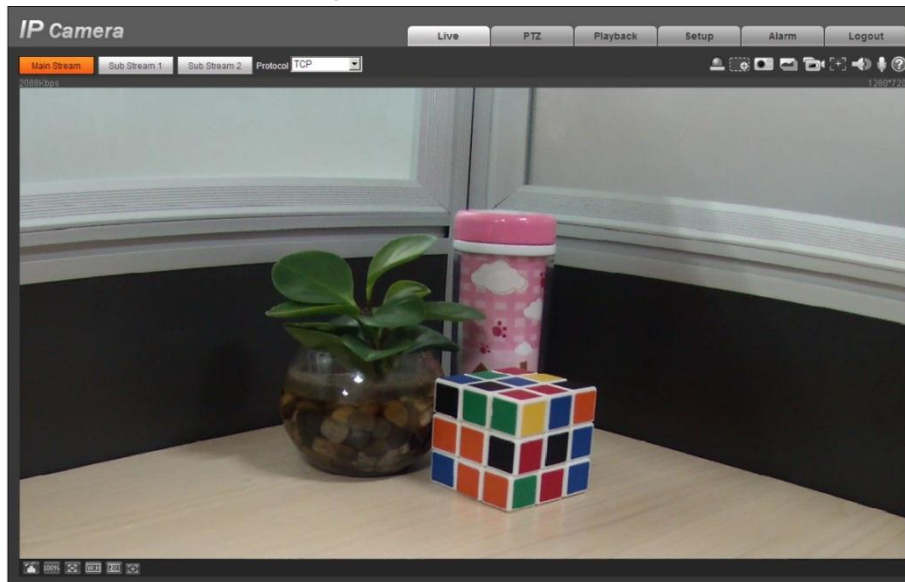
If the setup wizard is displayed, follow the instructions to finish the settings.

- Step 2** Enter user name and password in the log in box, and then click **Login**.

- Step 3** For first time login, click **Click Here to Download Plugin** and install the plugin as instructed.

The main interface is displayed when the installation is finished. See Figure 2-4.

Figure 2-4 Main interface

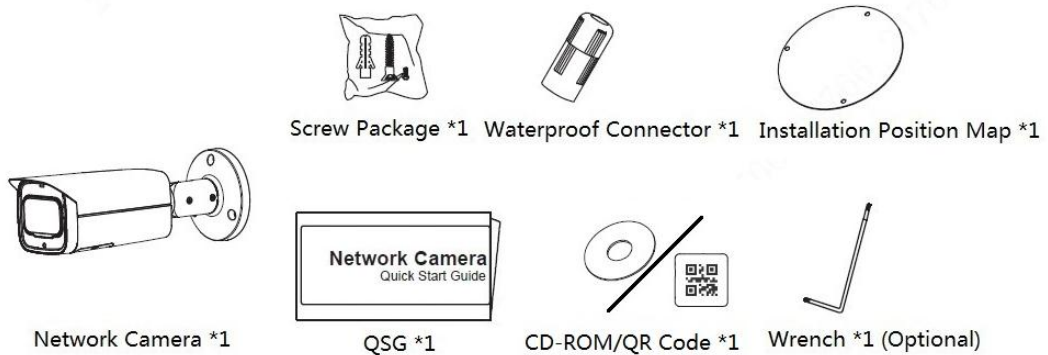


3 Installation

3.1 Packing List

 NOTE

- The tool required for the installation such as electric drill is not provided in the packing.
- The operation manual and related tool are contained in the disk or the QR code, and the actual packing shall prevail.

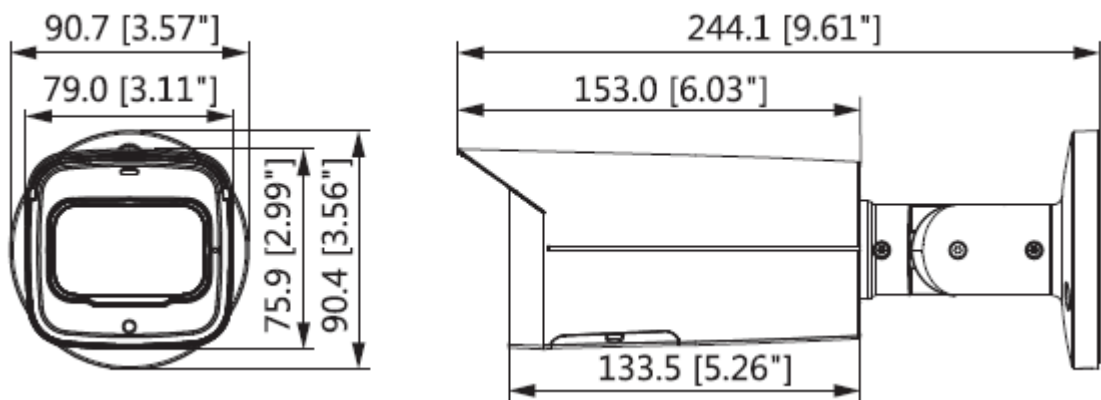


3.2 Dimension

 NOTE

Following figures are for reference only, the actual product shall prevail.

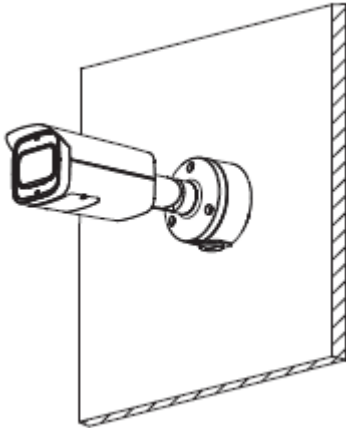
Model Dimension (Unit: mm [in])



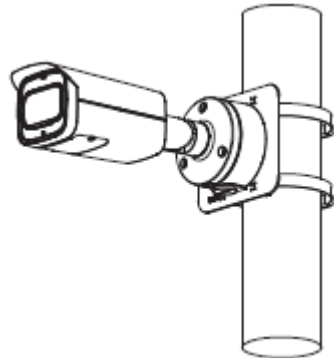
3.3 Installing Device

3.3.1 Installation method

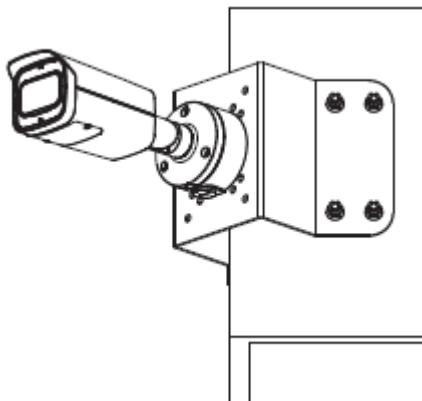
Wall-mounted



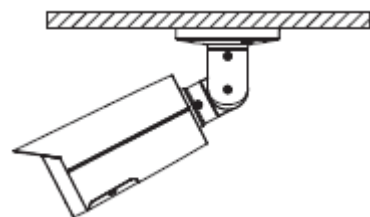
Pole-mounted



Angle-mounted



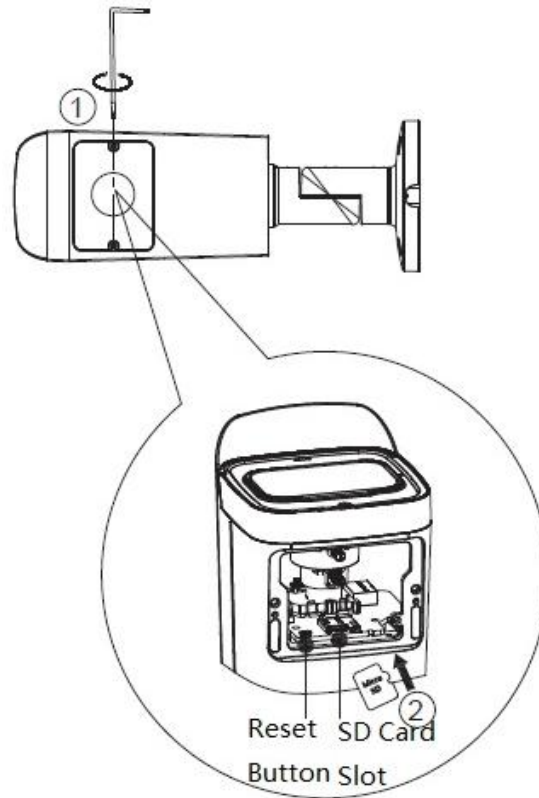
Ceiling-mounted



3.3.2 Installing SD Card (Optional)

 NOTE

- SD card slot is available on select models.
- Please disconnect the power from the device before installing the SD card.
- Press the reset button for 10 seconds to reset the device.



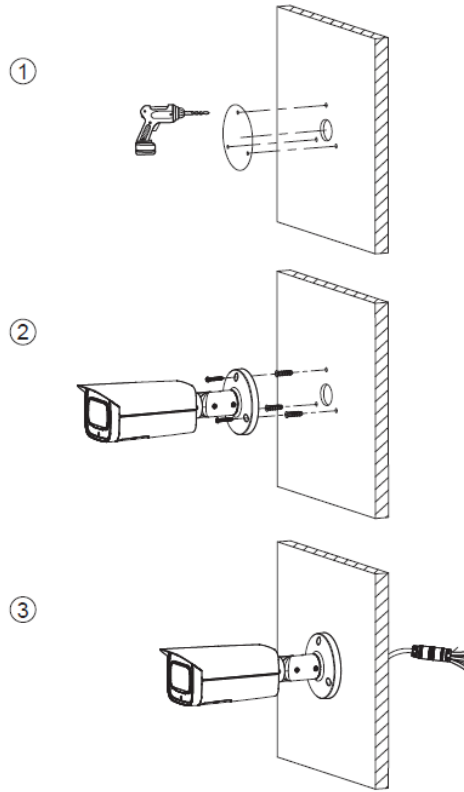
3.3.3 Attaching Device



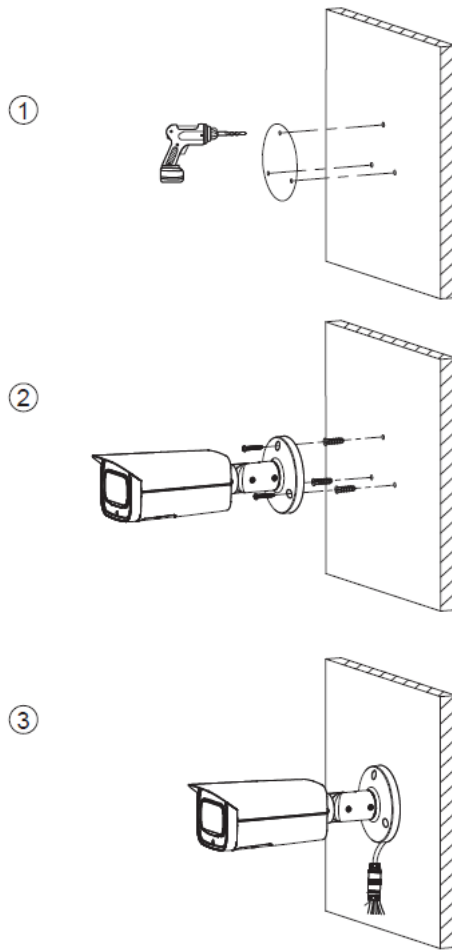
CAUTION

Make sure the mounting surface is strong enough to hold at least three times of the device weight.

Cable going through the mounting surface



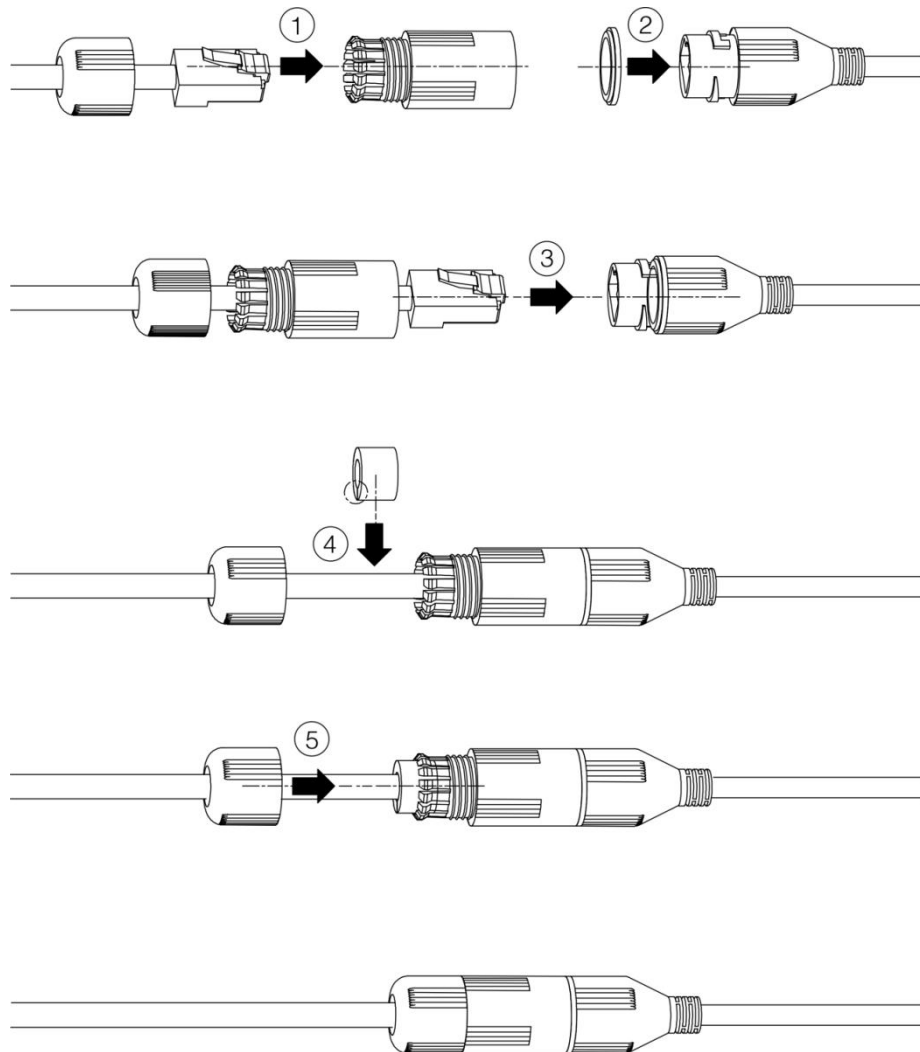
Cable going through the side cable tray



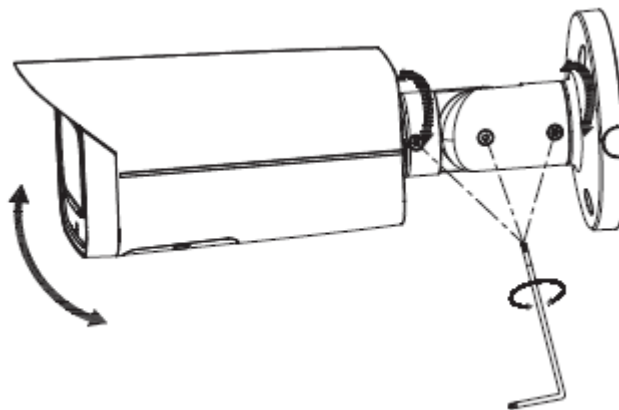
3.3.4 Installing Waterproof Connector

 NOTE

This part is only needed when there is waterproof connector come with the device and the device is used outdoor.



3.3.5 Adjusting Angle



3.3.6 Adjusting Focal Length

